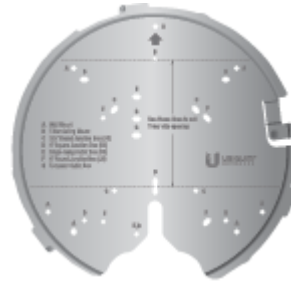


UAP-AC-HD Quick Start Guide

Package Contents



UniFi AP AC HD



Mounting Plate



Ceiling Backing Plate



Ceiling Screws (Qty. 4)



Keps Nuts (Qty. 4)



T-Bar Mounts (Qty. 2)





UAP-AC-HD Quick Start Guide



Screw Anchors (Qty. 4)



Cable Feed Plug



Gigabit PoE* (48V, 0.5A) with
Mount Bracket



Power Cord*

** Included only in the single-pack of the UAP-AC-HD*

Installation Requirements

- Phillips screwdriver
- Drill and drill bit (8 mm for wall mounting or 3 mm for ceiling tile mounting)
- Optional: Drywall or keyhole saw (to cut 18 mm hole for Ethernet cable feed)

UAP-AC-HD Quick Start Guide



IMPORTANT: The UAP-AC-HD requires the UniFi Controller v5.4 or higher, available at:

ui.com/download/unifi

Outdoor Installation Requirements



IMPORTANT: The UAP-AC-HD may be installed outdoors under an eave or other protected location. Do not install the UniFi AP in an open environment.

- Mounting location should be at least 60 cm (2 ft) from the edge of the eave or ceiling.
- Cable feed opening must be directed away from the open environment.
- Cable feed must be pointed downwards when wall-mounted.
- Shielded Category 5 (or above) cabling should be used for all outdoor wired Ethernet connections and should be grounded through the AC ground of the PoE.

We recommend that you protect your networks from harmful outdoor environments and destructive ESD events with industrial-grade, shielded Ethernet cable from Ubiquiti. For more details, visit ui.com/toughcable

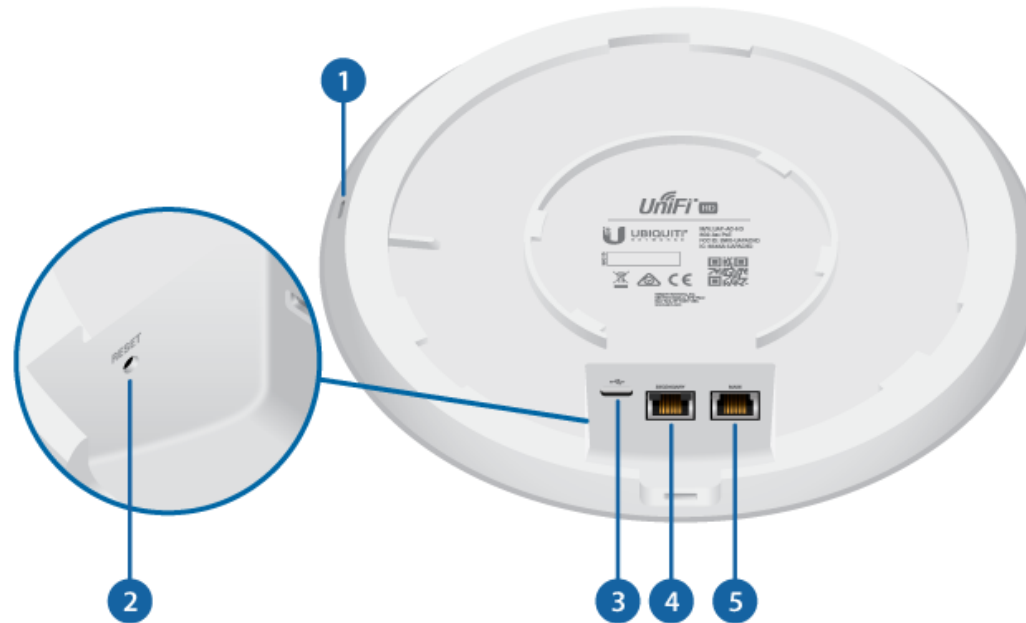
System Requirements

- Linux, Mac OS X, or Microsoft Windows 7/8/10
- Java Runtime Environment 1.8 or above recommended
- Web Browser: Google Chrome (Other browsers may have limited functionality.)
- UniFi Controller software v5.4 or newer (available at: ui.com/download/unifi)

Hardware Overview

LED

UAP-AC-HD Quick Start Guide

**1 Security Slot**

If you need to remove the UniFi AP from the Mounting Plate, insert a flat, thin object like a zip tie or large paper clip in the Security Slot to release the Lock Tab and turn the UniFi AP counterclockwise.

2 Reset

The Reset button serves two functions for the UniFi AP:

- **Restart** Press and release the Reset button quickly.
- **Restore to Factory Default Settings** Press and hold the Reset button for more than five seconds.

3 USB 3C

UAP-AC-HD Quick Start Guide

4 Secondary

The Secondary port is a Gigabit Ethernet port used for bridging.

5 Main

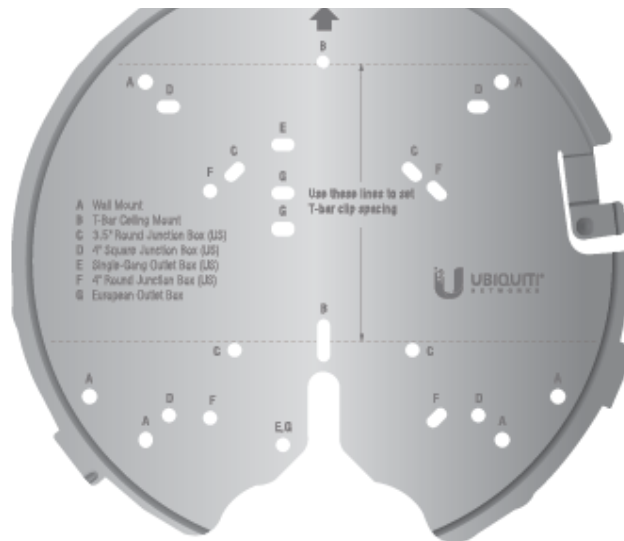
The Main port is a Gigabit Ethernet port used to connect the power and should be connected to the LAN and DHCP server.

! **IMPORTANT:** The UAP-AC-HD cannot be powered by the US-8 or US-8-60W; however, it can be powered by other UniFi PoE Switches that provide 802.3at PoE+ power.

Mounting Plate

The Mounting Plate offers a variety of mounting holes for different applications. The legend printed on the Mounting Plate identifies the holes used for each application.

UAP-AC-HD Quick Start Guide



Hardware Installation

The UniFi AP can be mounted on a wall, ceiling tile, drop ceiling T-rail (up to 40 mm), or electrical junction box. Perform the steps for the appropriate installation.



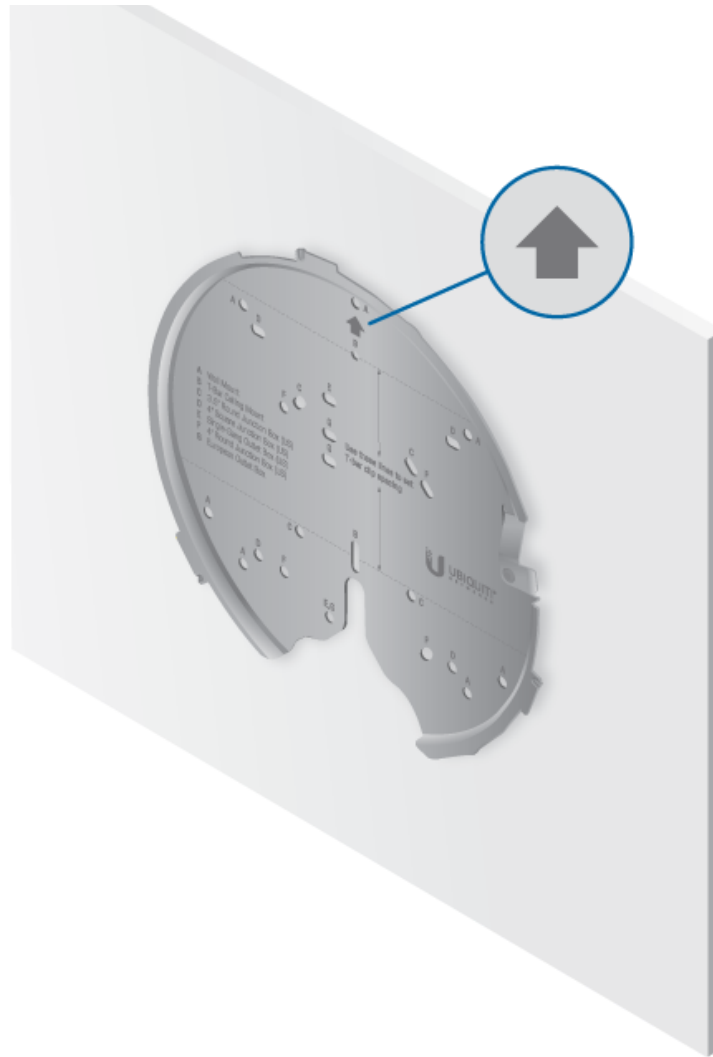
Note for UniFi AP replacement: The holes marked “A” on the Mounting Plate line up with the holes of mounting brackets used for previous UniFi AP models.

Wall Mount

- 1.

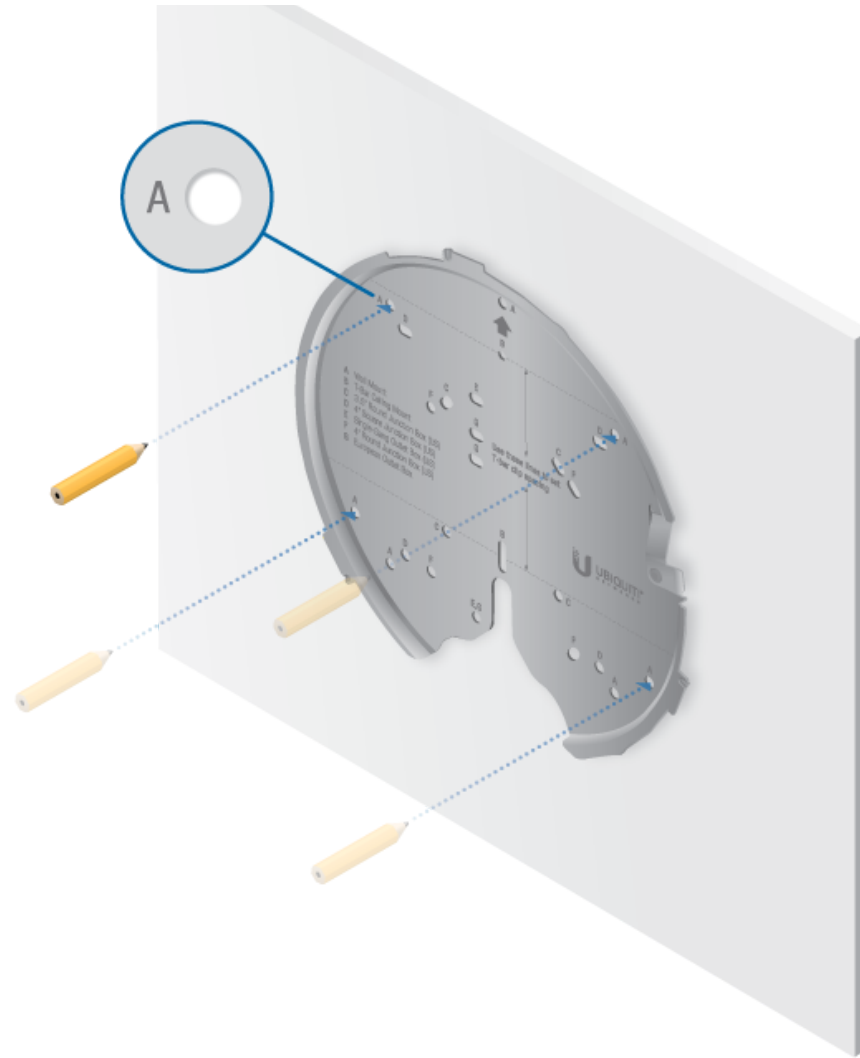


UAP-AC-HD Quick Start Guide



2.

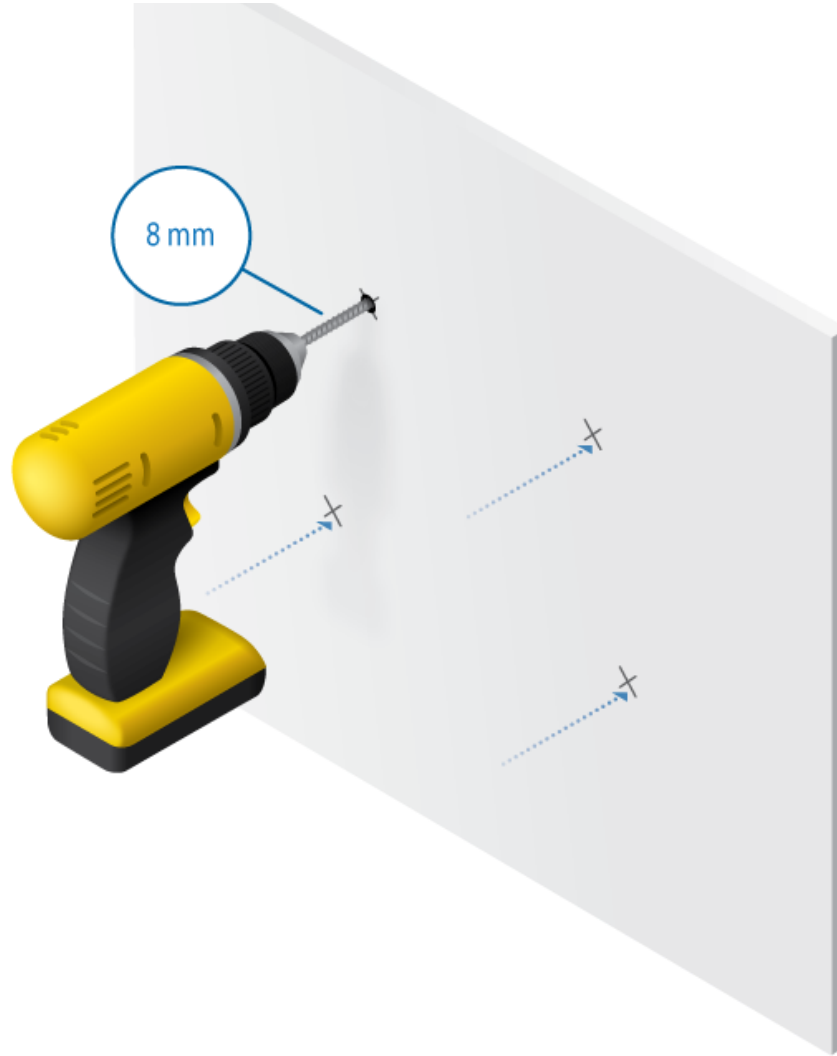
UAP-AC-HD Quick Start Guide



3.



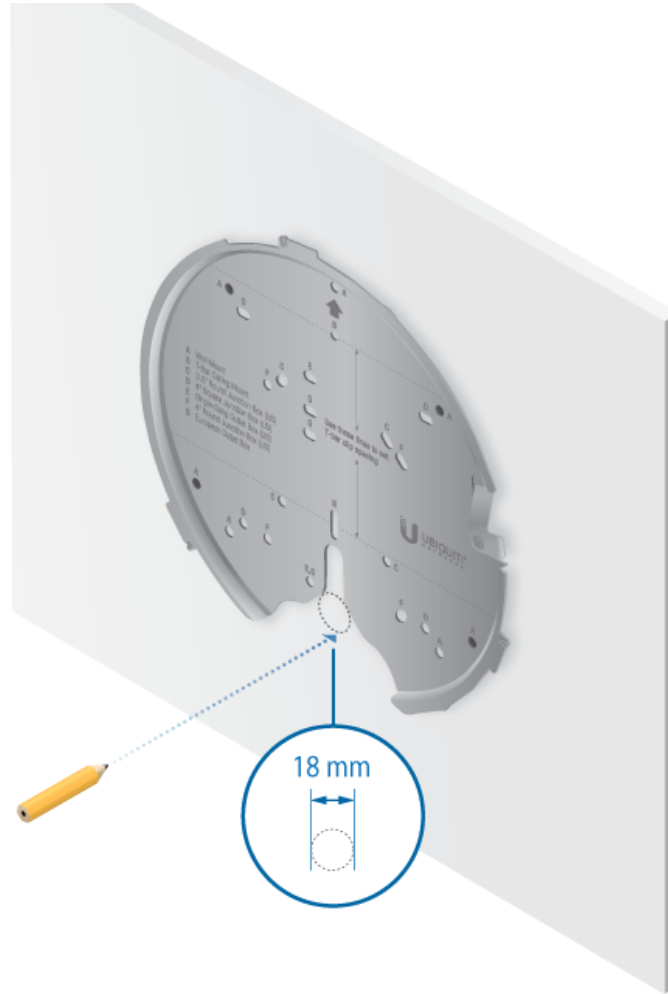
UAP-AC-HD Quick Start Guide



Optional



UAP-AC-HD Quick Start Guide





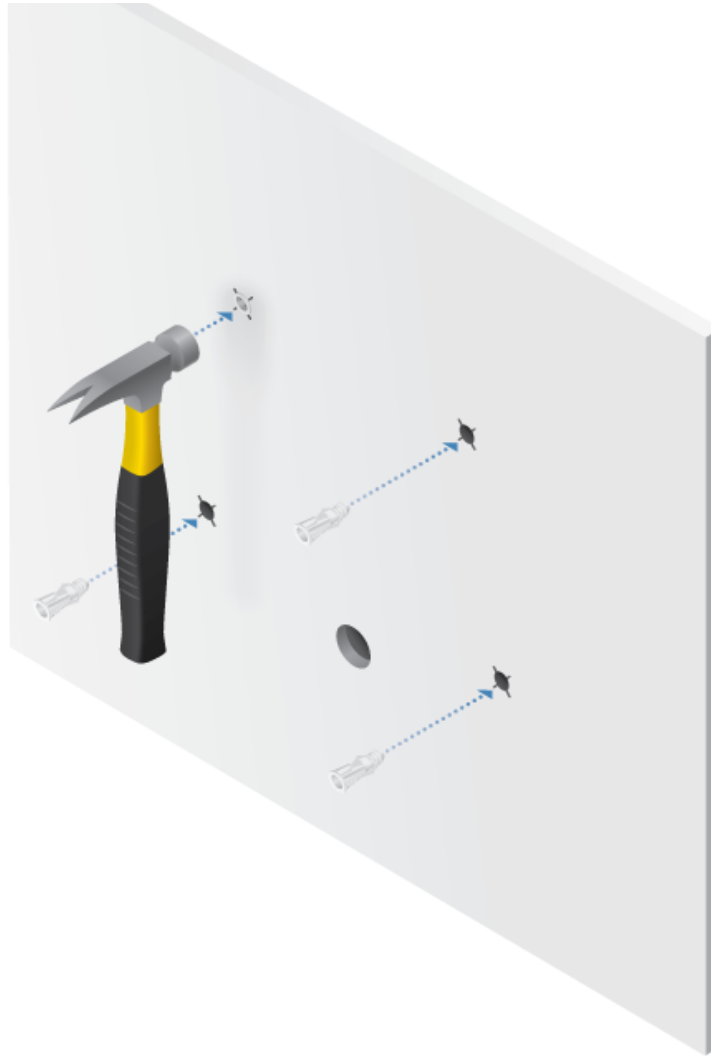
UAP-AC-HD Quick Start Guide



4.



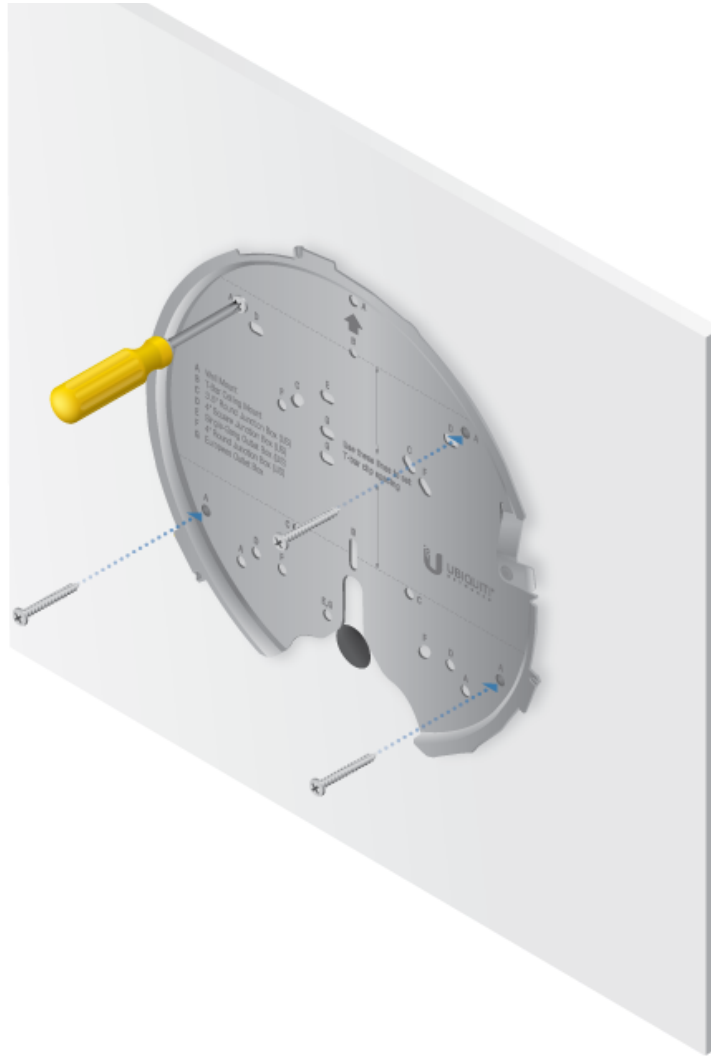
UAP-AC-HD Quick Start Guide



5.



UAP-AC-HD Quick Start Guide



6.



UAP-AC-HD Quick Start Guide



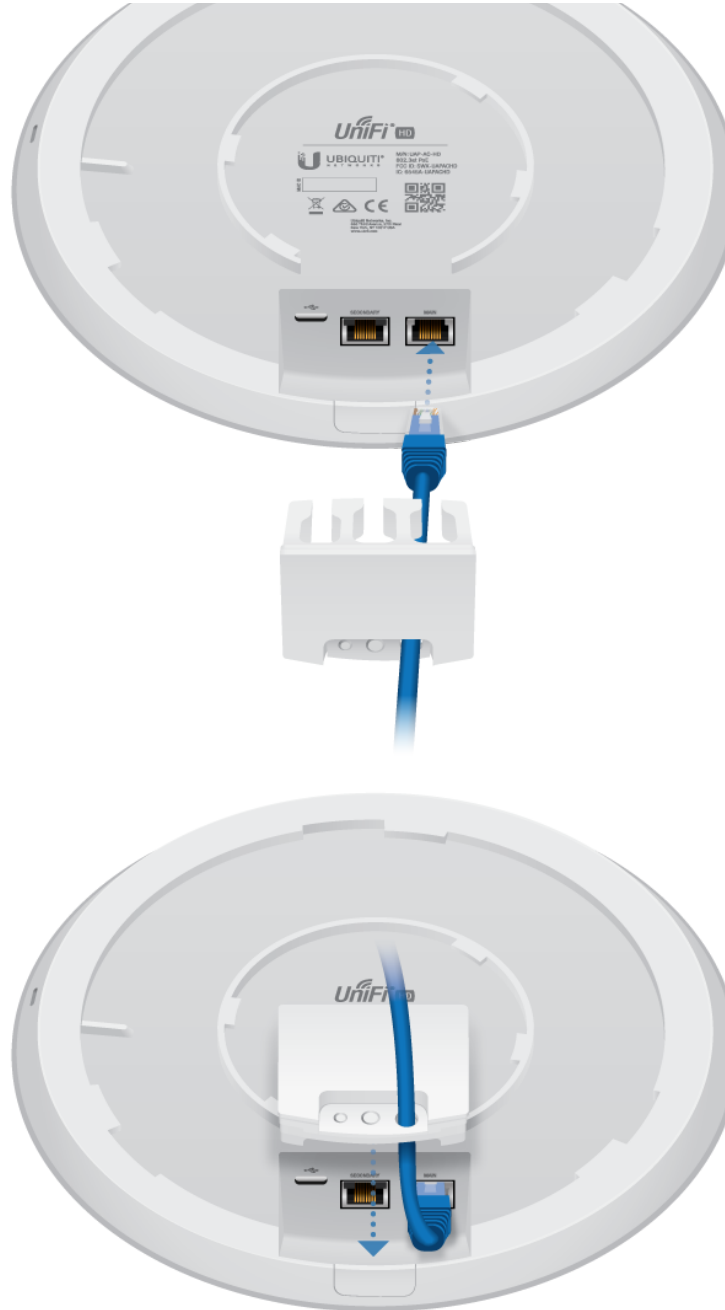
7.



8.



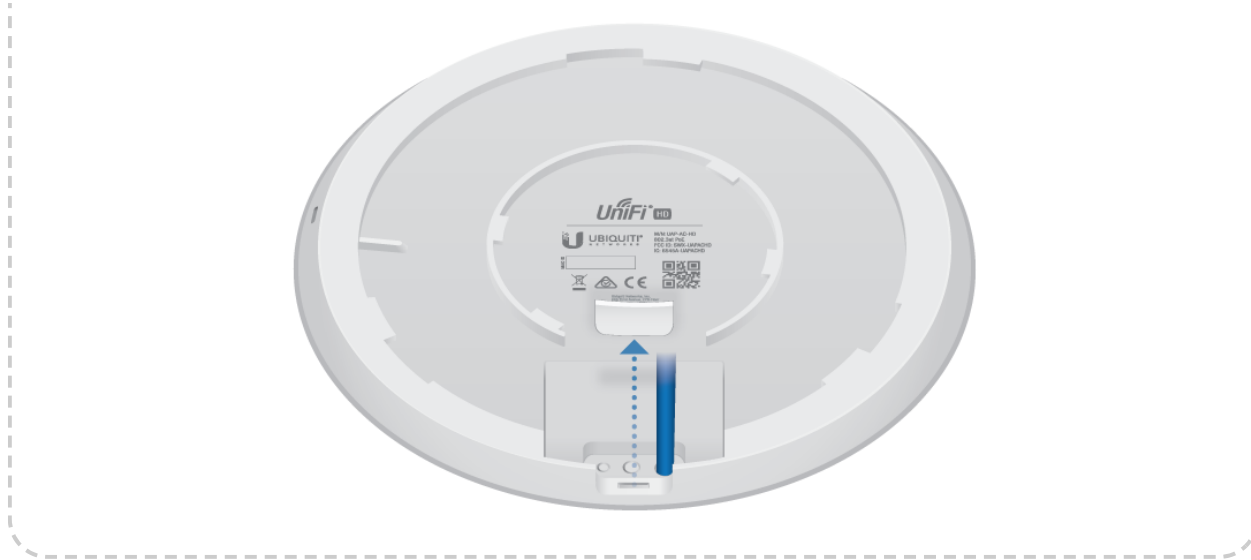
UAP-AC-HD Quick Start Guide



9.



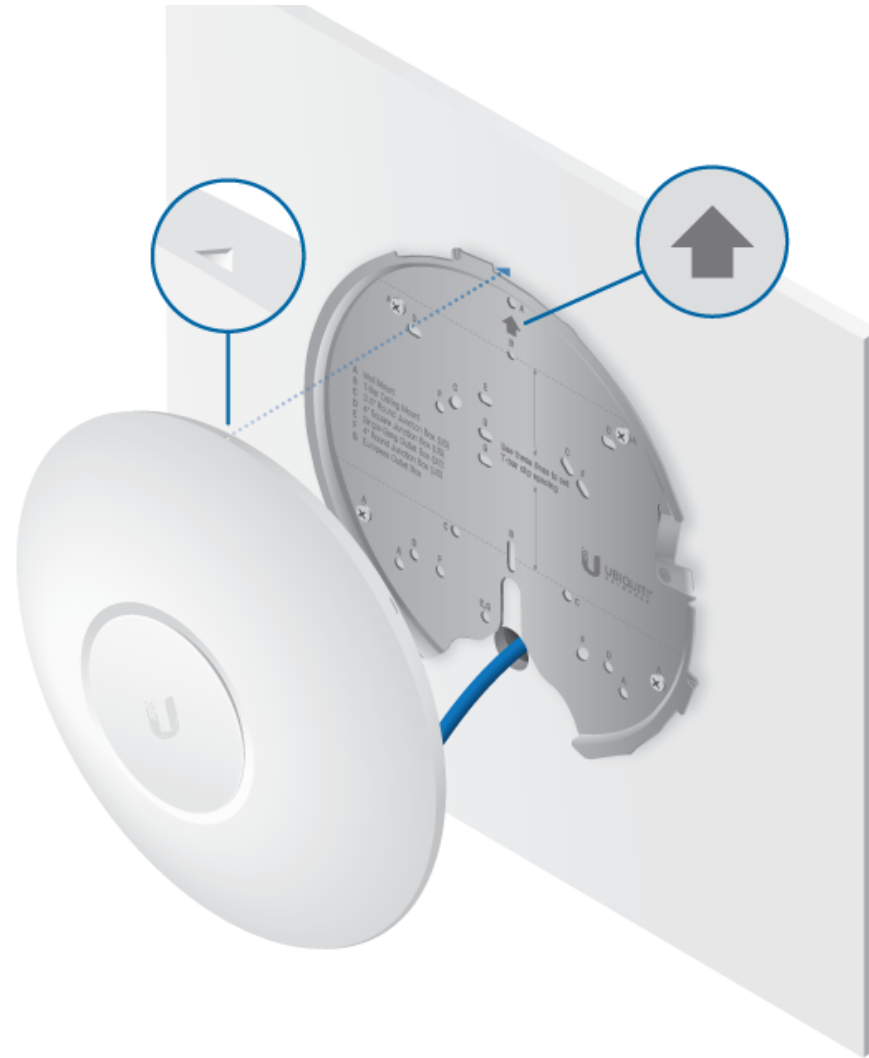
UAP-AC-HD Quick Start Guide



10.



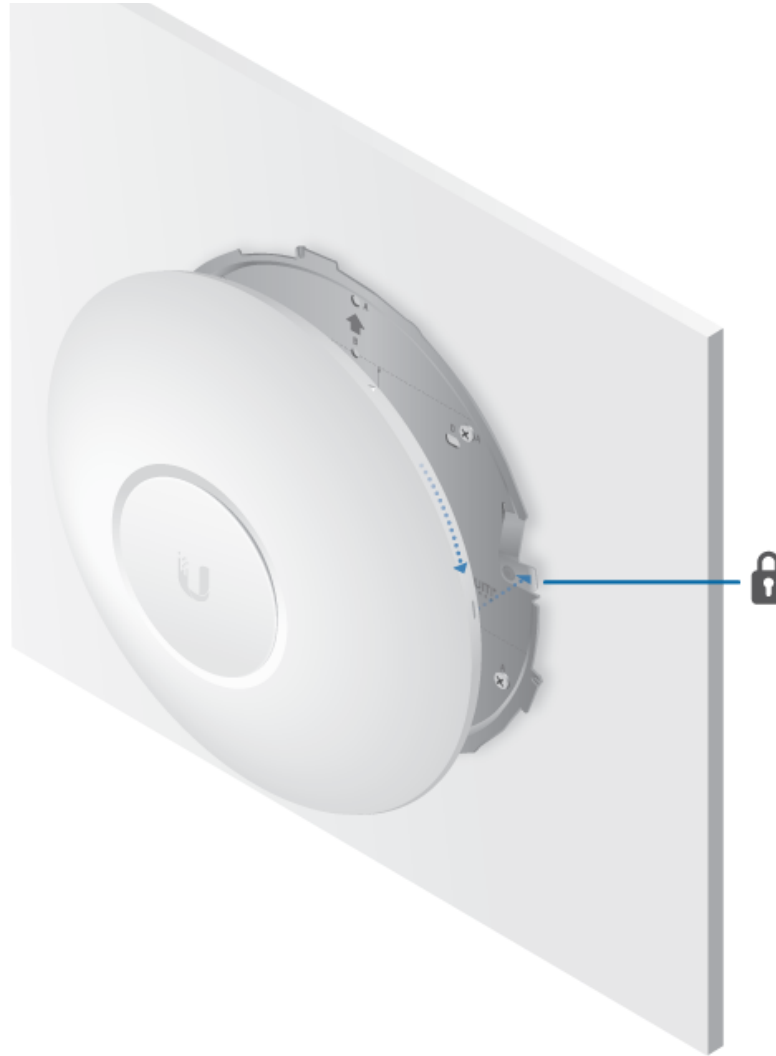
UAP-AC-HD Quick Start Guide



11.



UAP-AC-HD Quick Start Guide

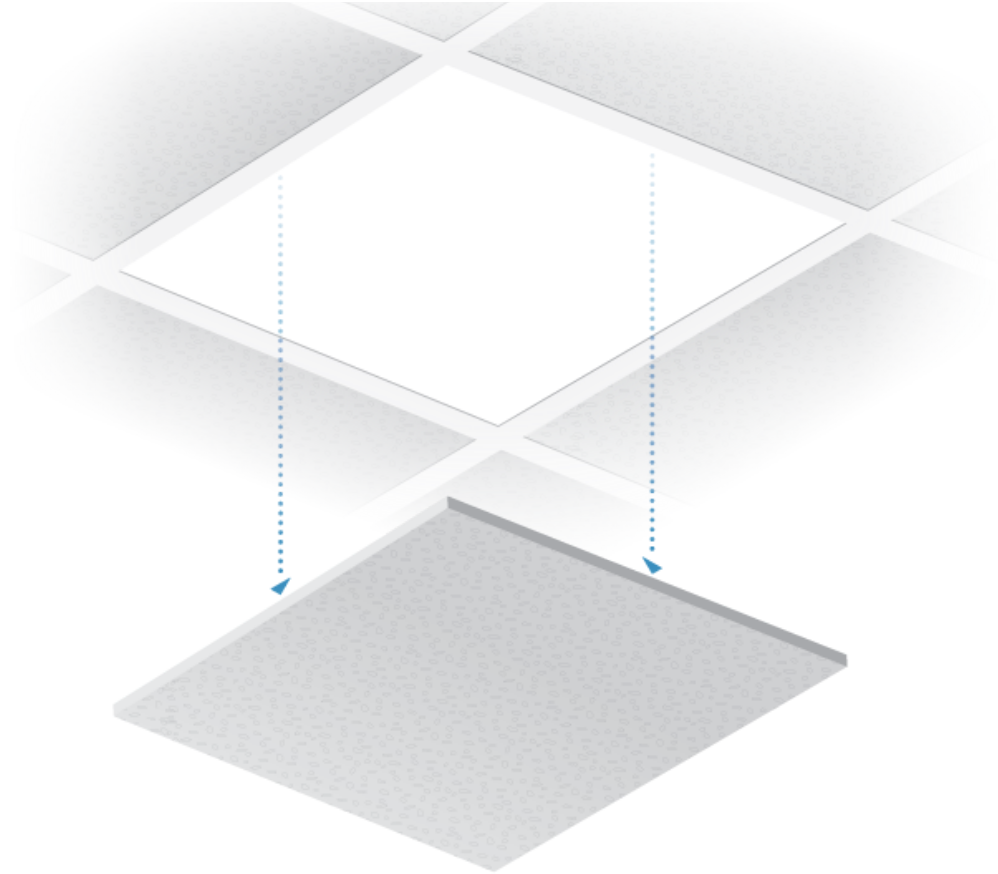


Ceiling Tile Mount

1.



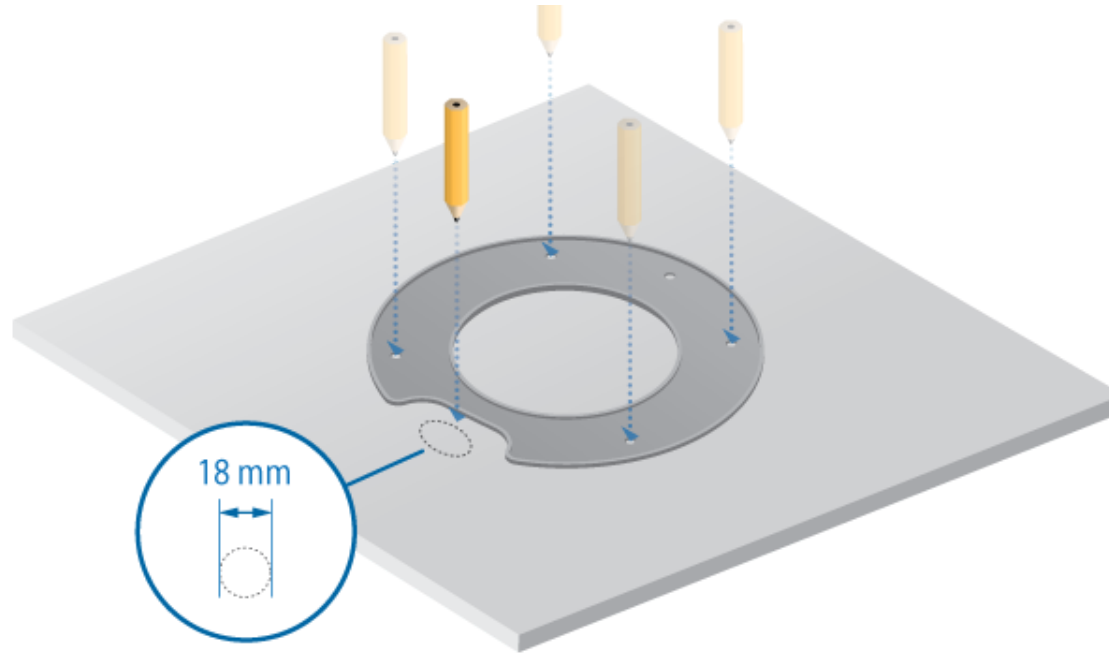
UAP-AC-HD Quick Start Guide



2.



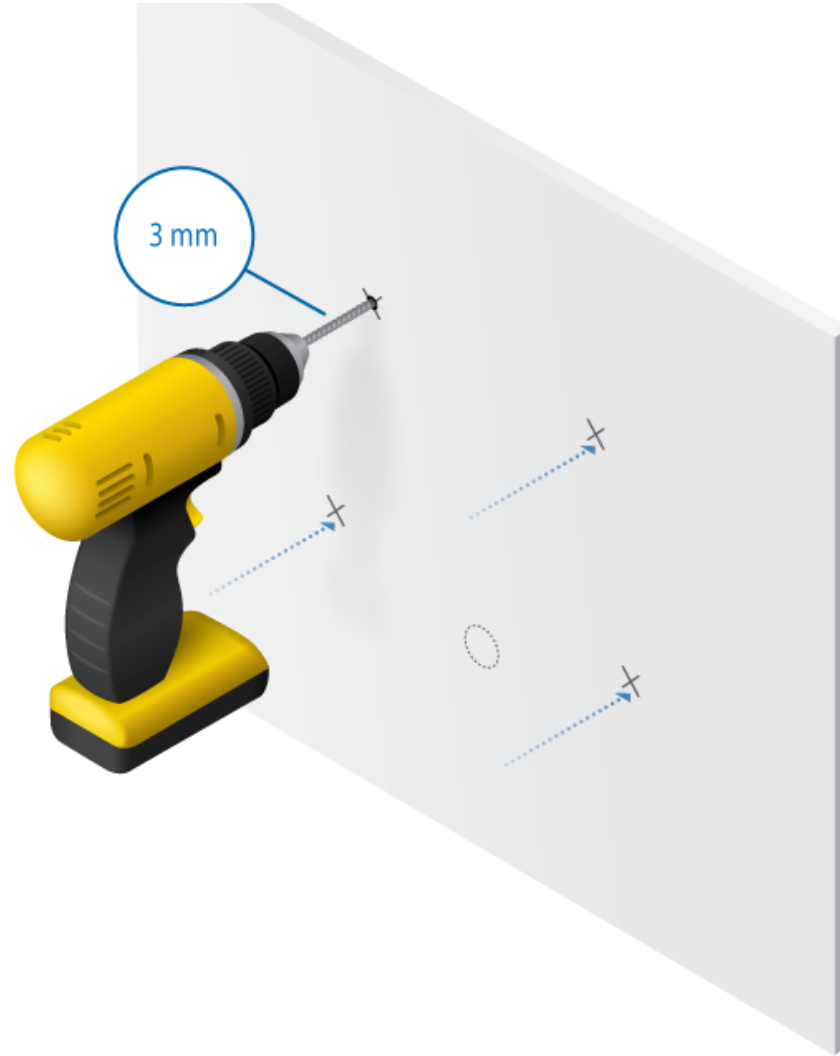
UAP-AC-HD Quick Start Guide



3.



UAP-AC-HD Quick Start Guide



4.



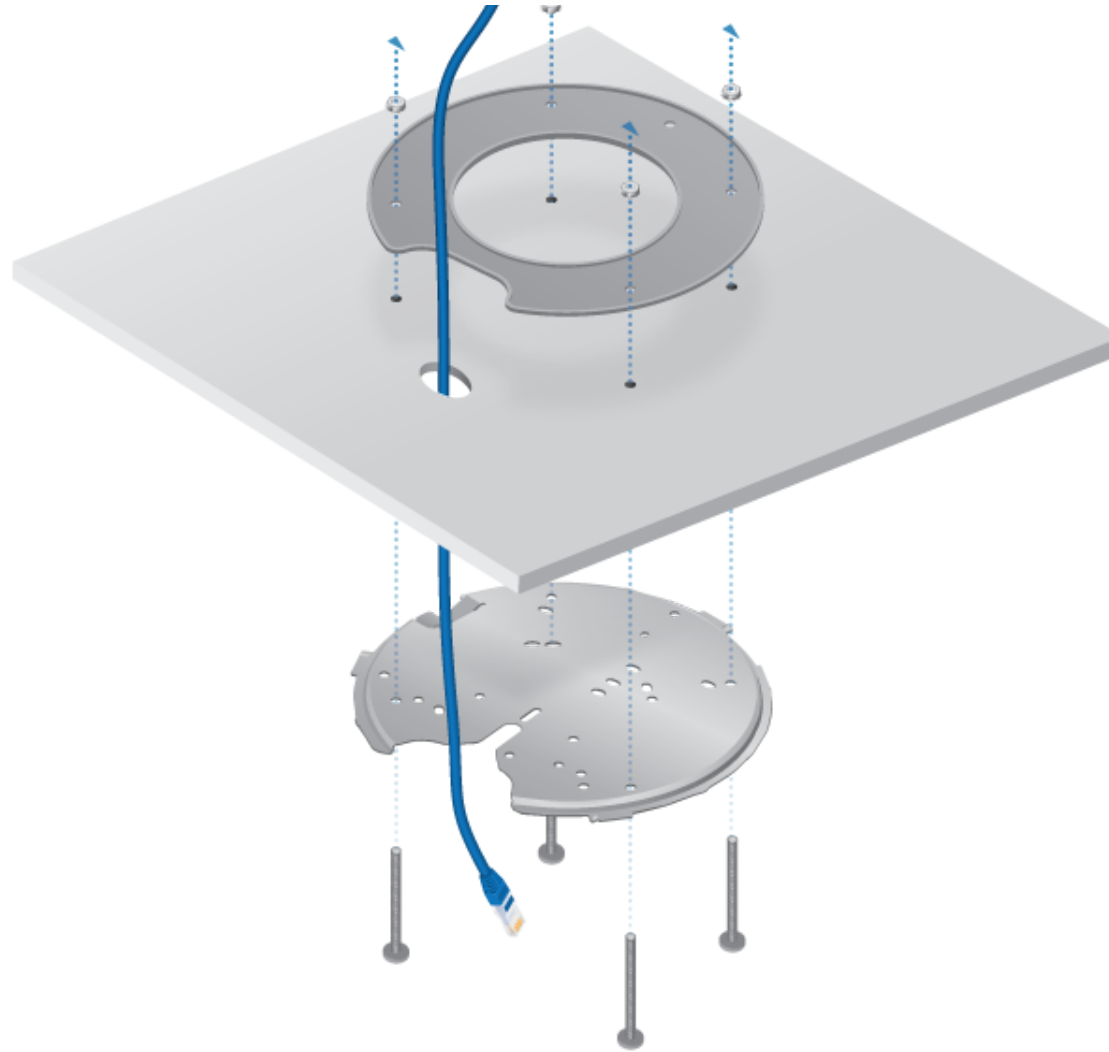
UAP-AC-HD Quick Start Guide



5.



UAP-AC-HD Quick Start Guide



6.



UAP-AC-HD Quick Start Guide



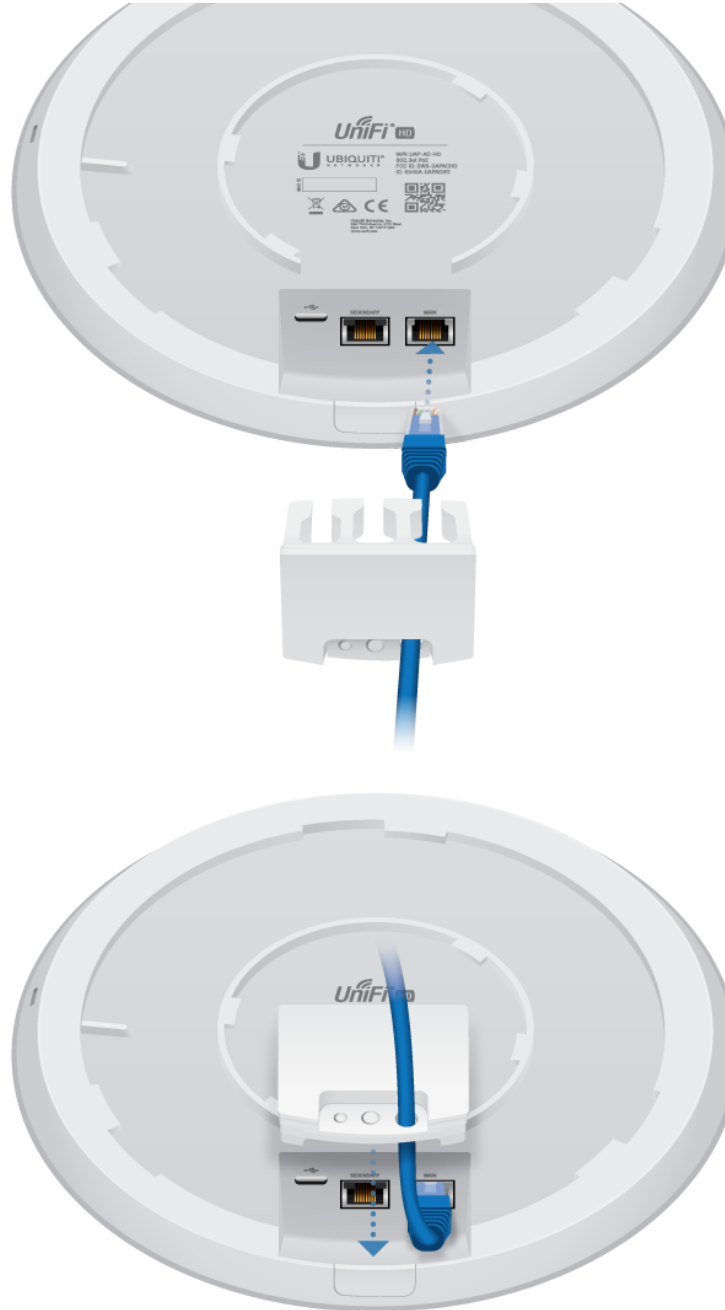
7.



8.



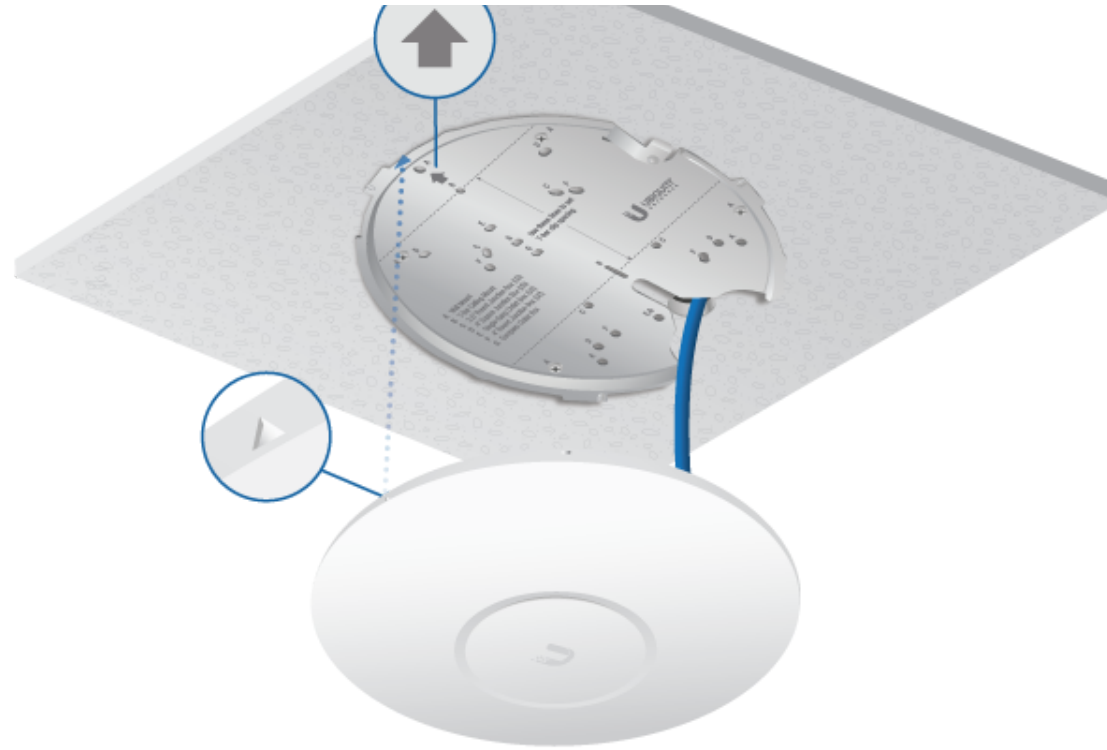
UAP-AC-HD Quick Start Guide



9.



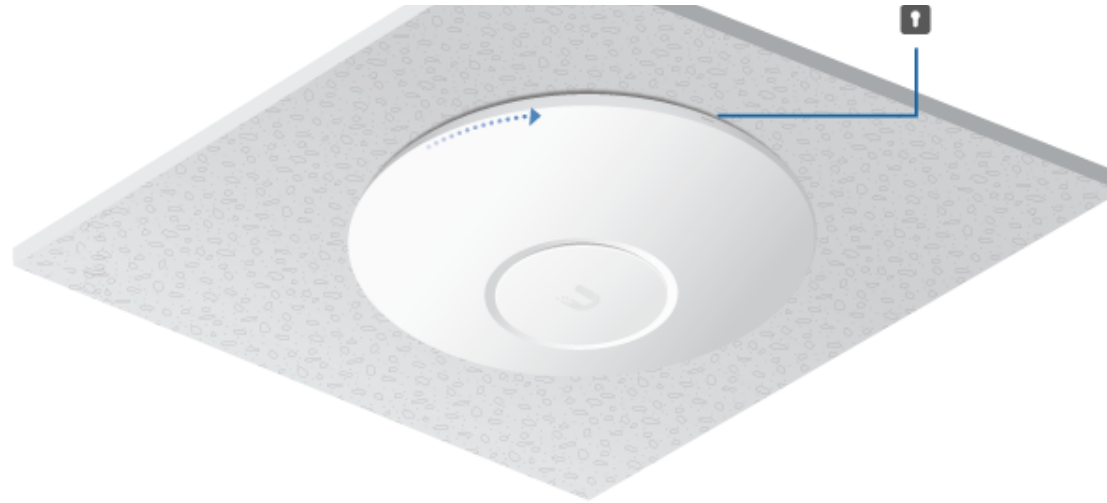
UAP-AC-HD Quick Start Guide



11.



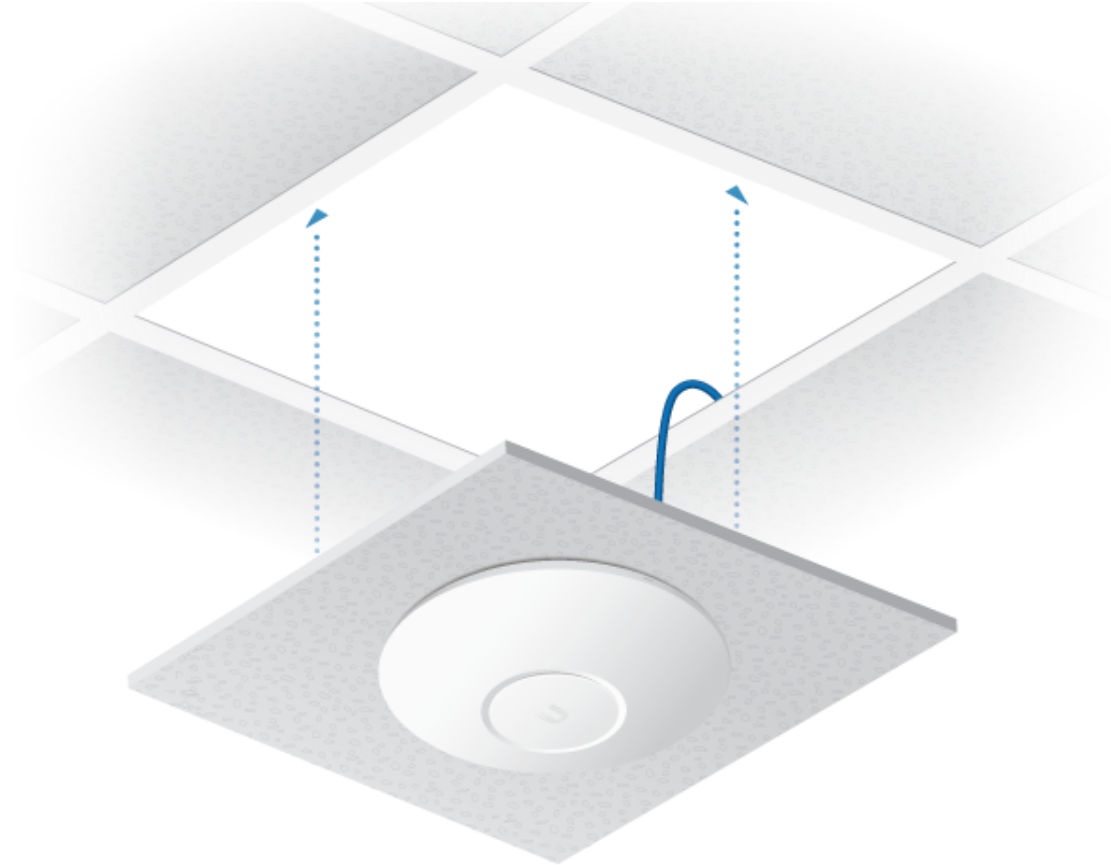
UAP-AC-HD Quick Start Guide



12.



UAP-AC-HD Quick Start Guide

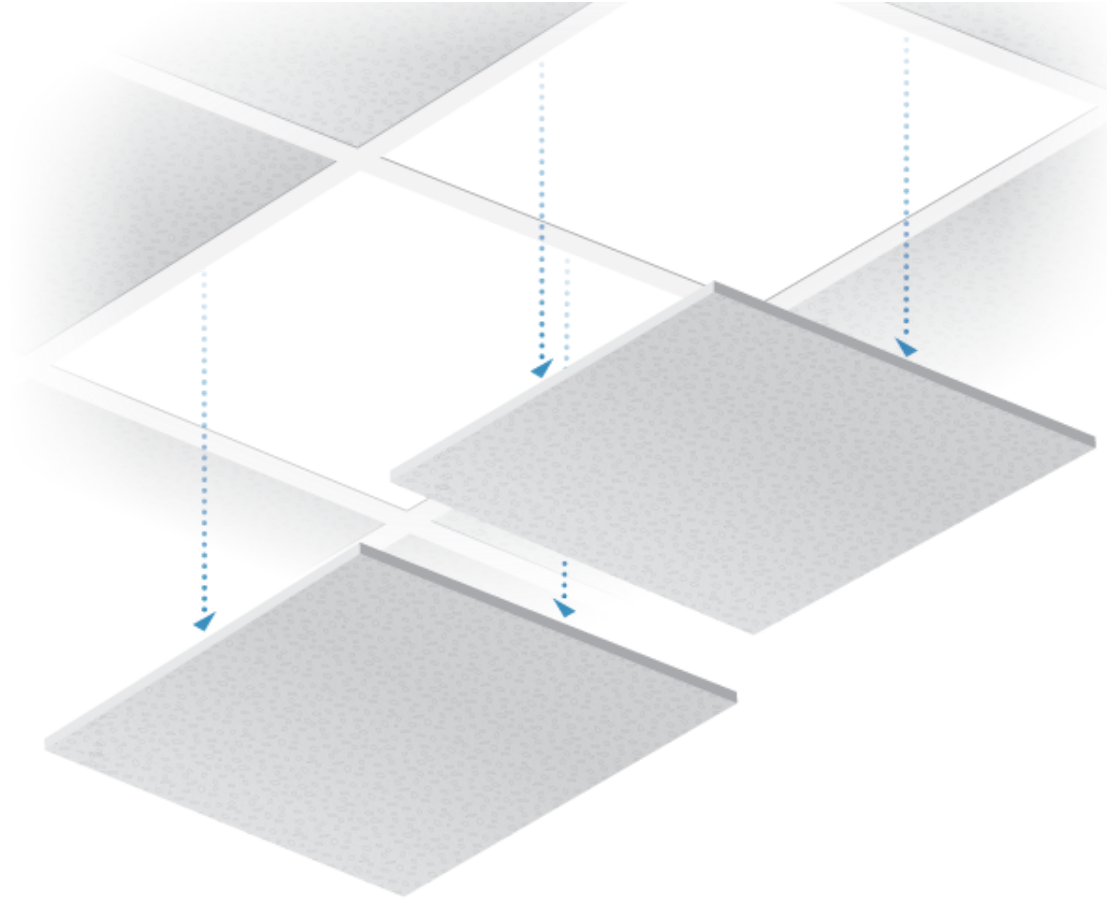


T-Bar Mount

- 1.



UAP-AC-HD Quick Start Guide

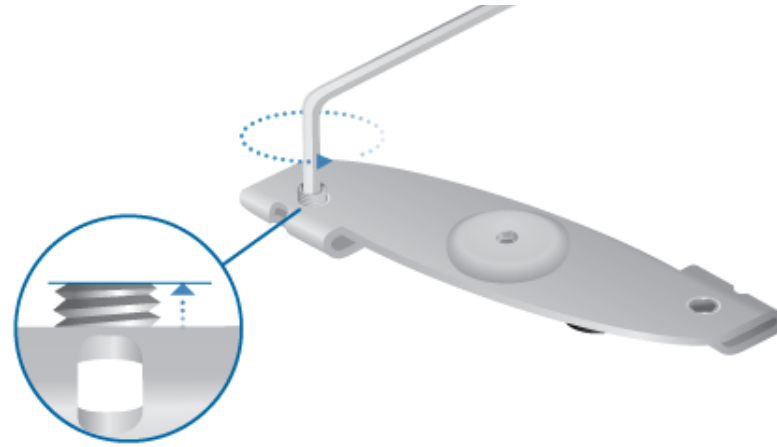


2.

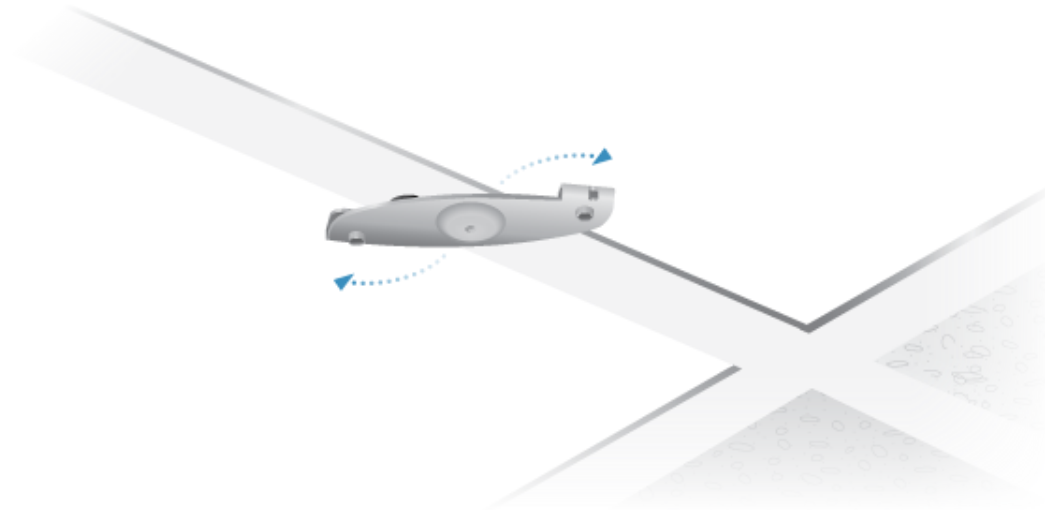


UAP-AC-HD Quick Start Guide

3.

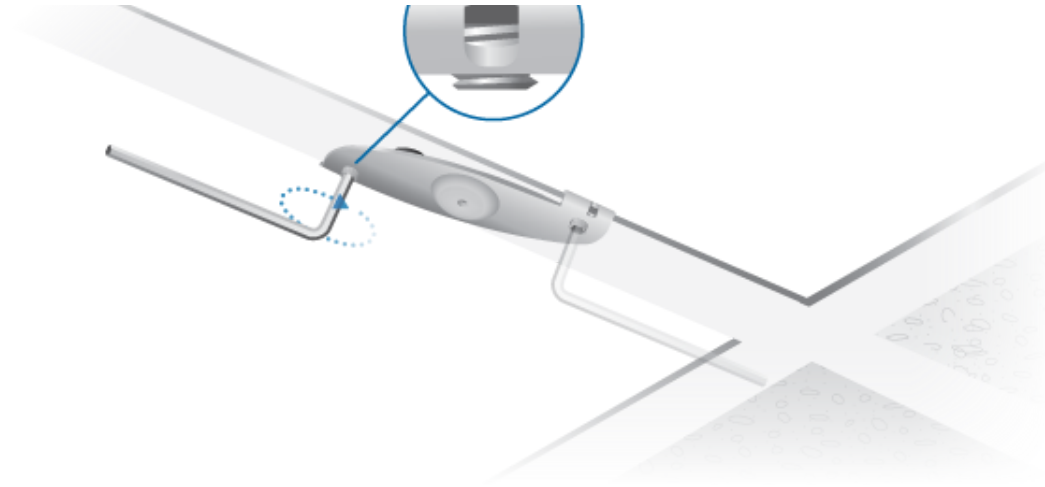


4.

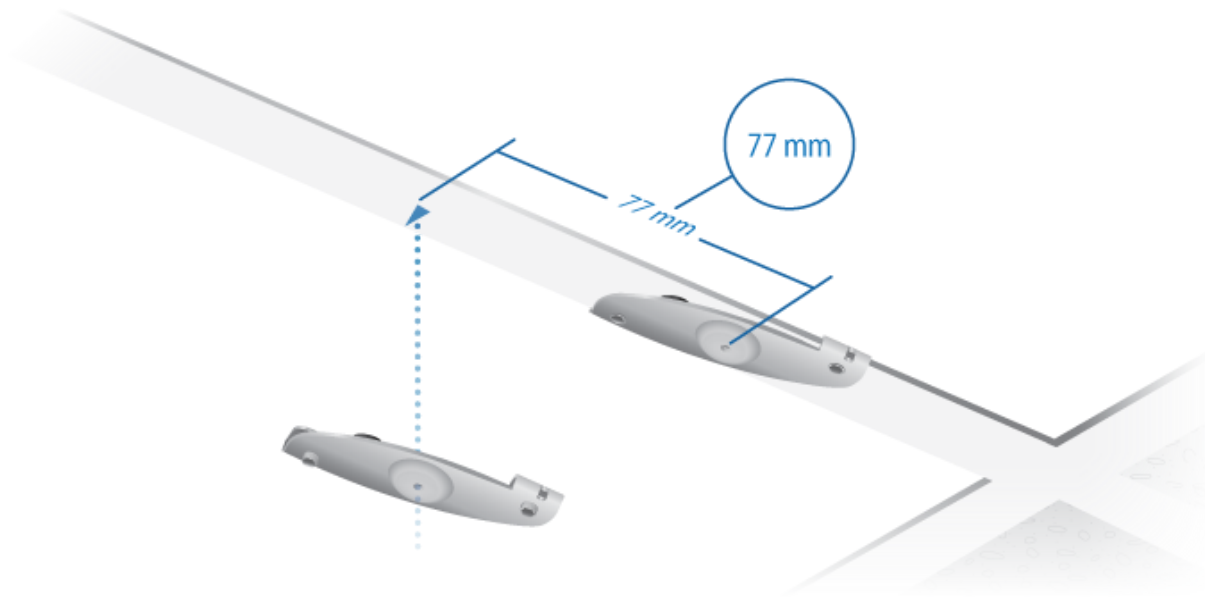




UAP-AC-HD Quick Start Guide



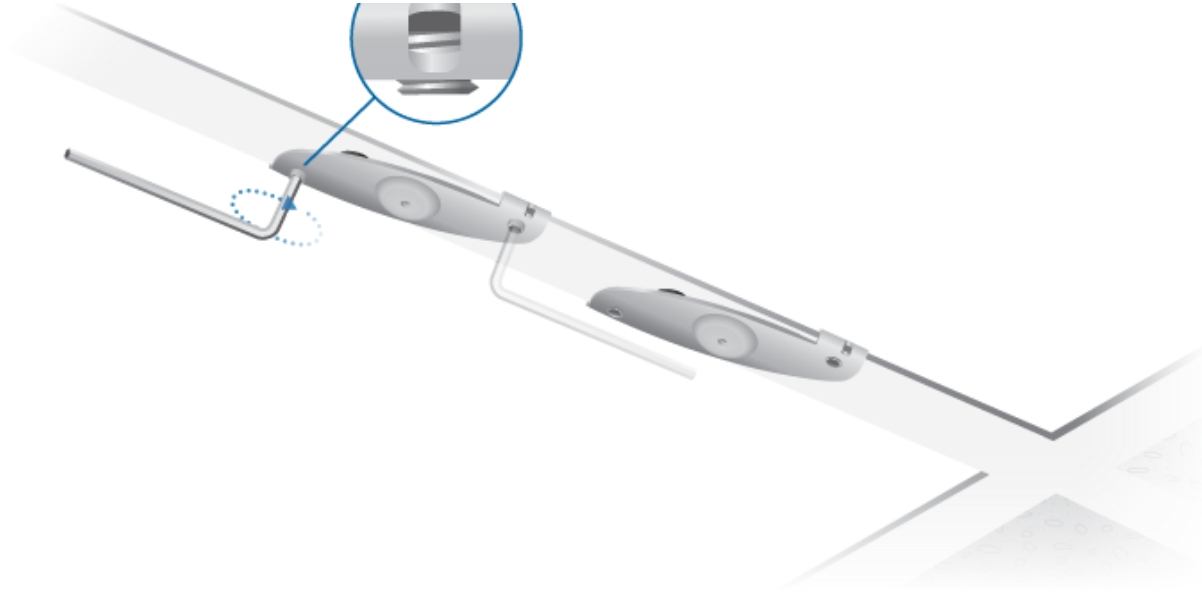
5.



6.



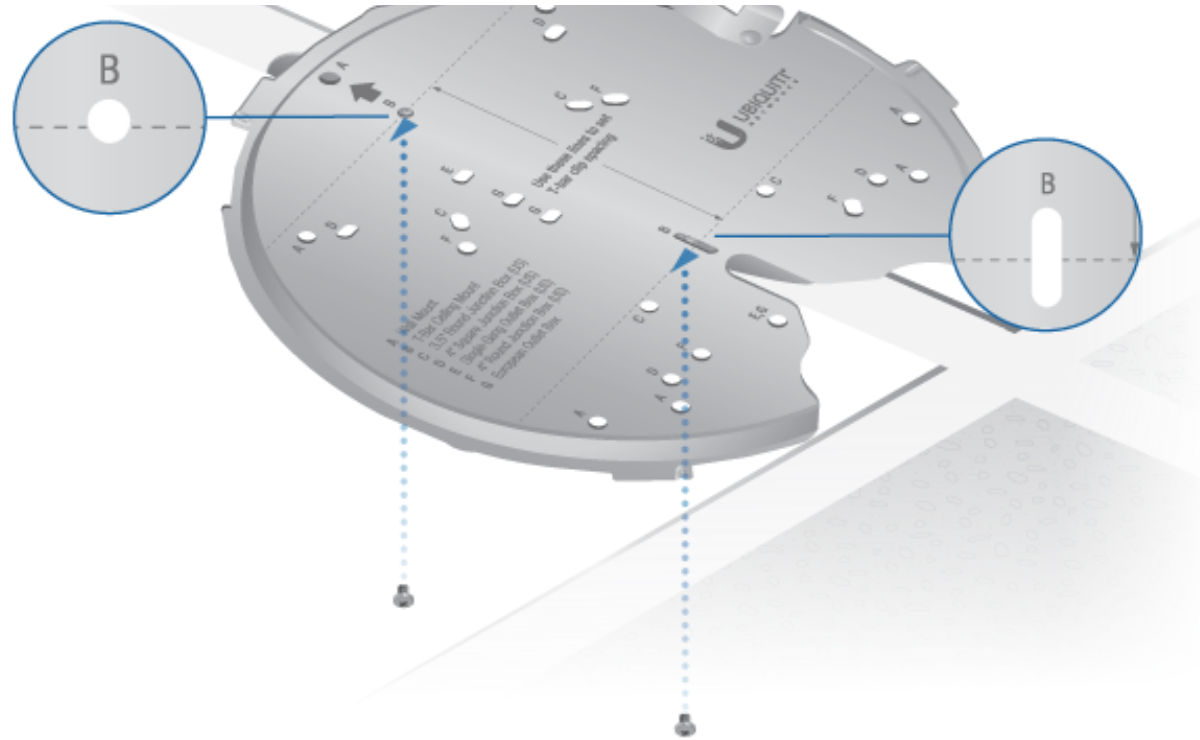
UAP-AC-HD Quick Start Guide



7.

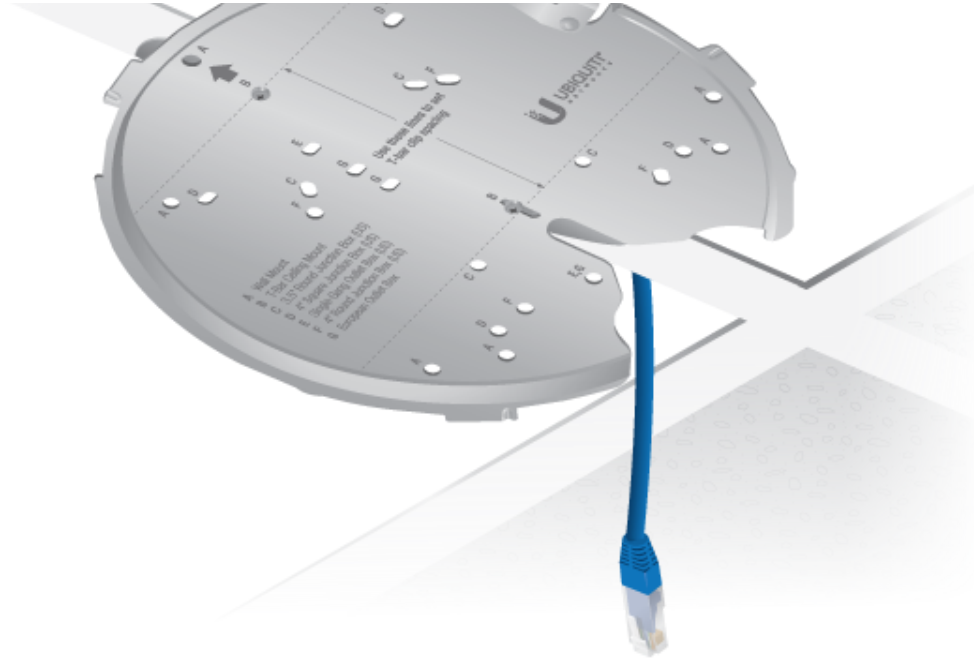


UAP-AC-HD Quick Start Guide





UAP-AC-HD Quick Start Guide



9.



10.



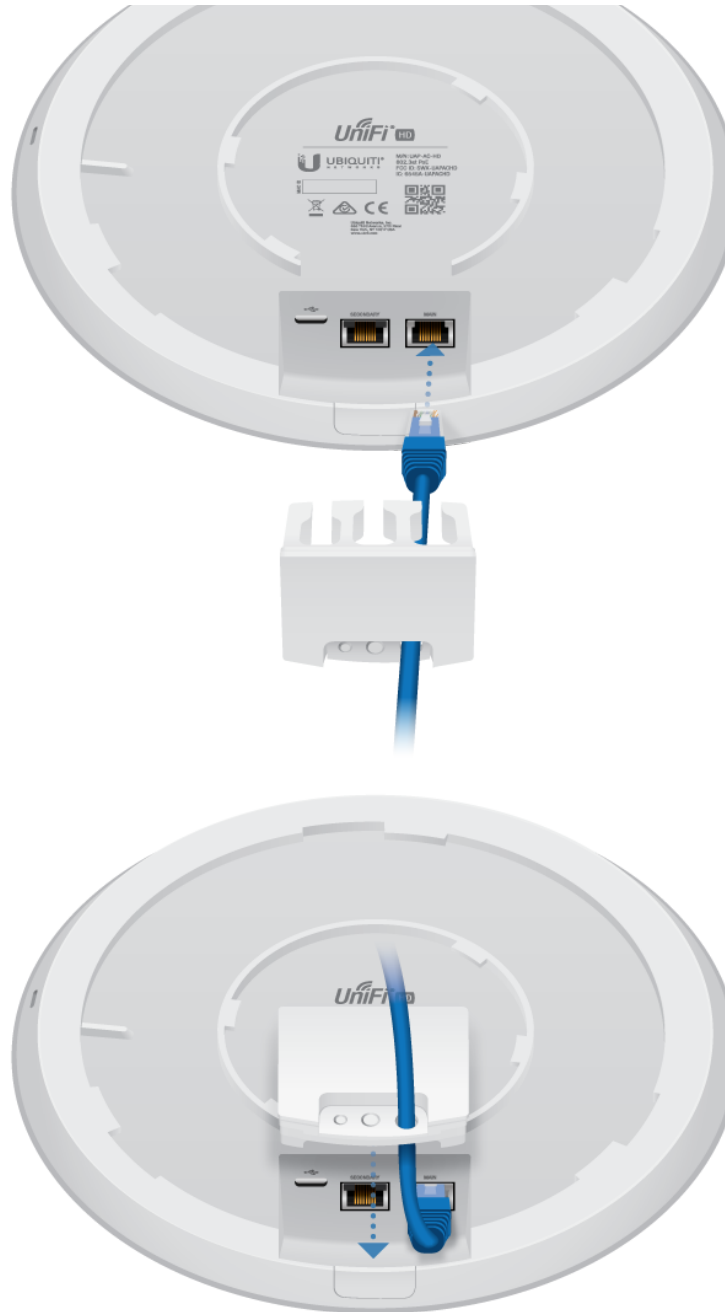
UAP-AC-HD Quick Start Guide



11.



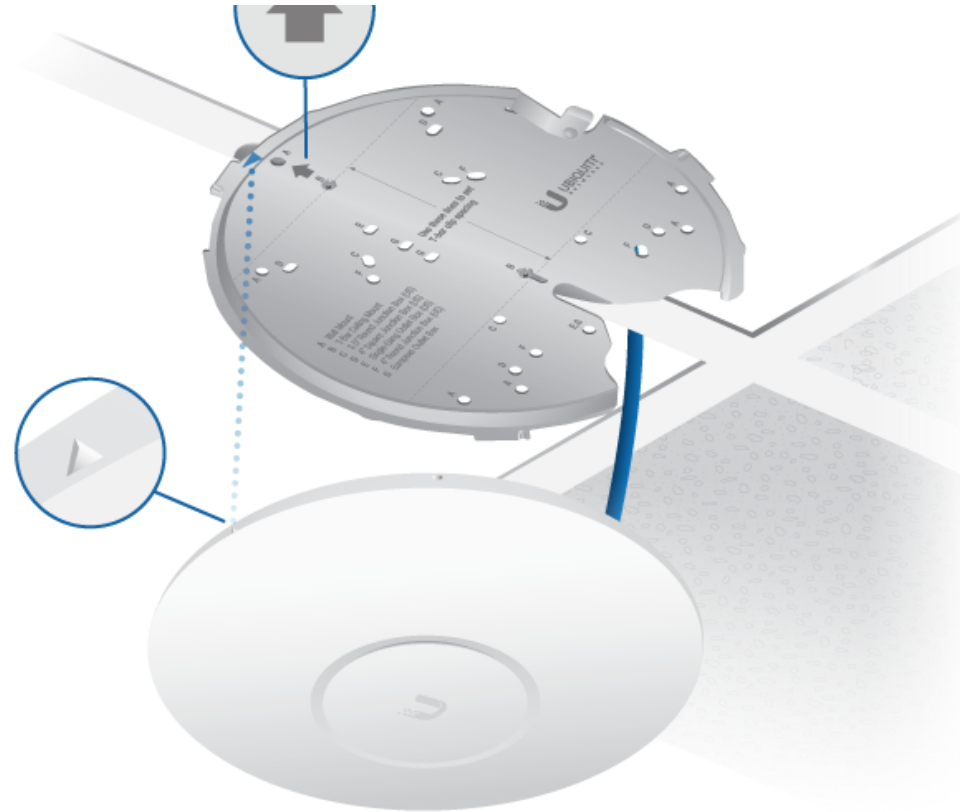
UAP-AC-HD Quick Start Guide



12.



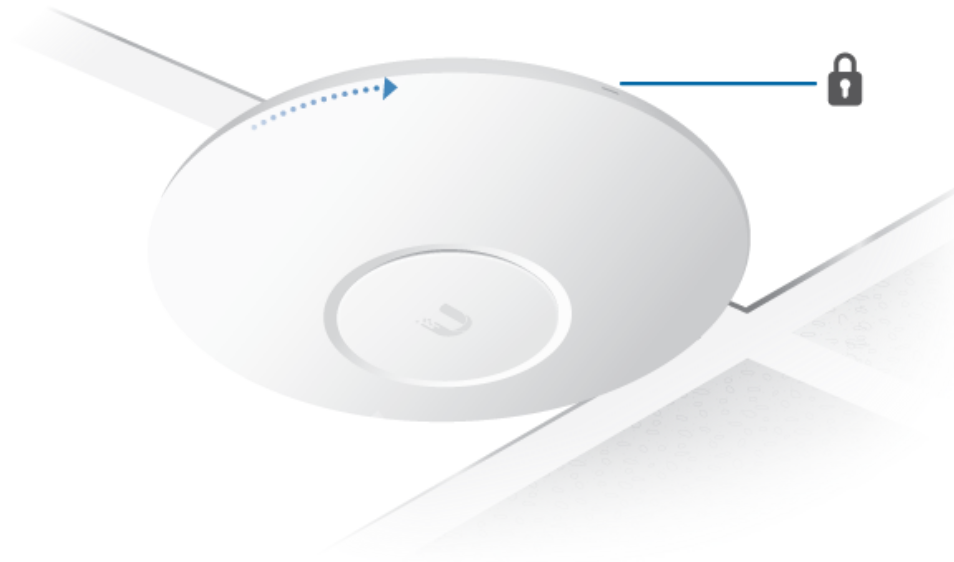
UAP-AC-HD Quick Start Guide



14.



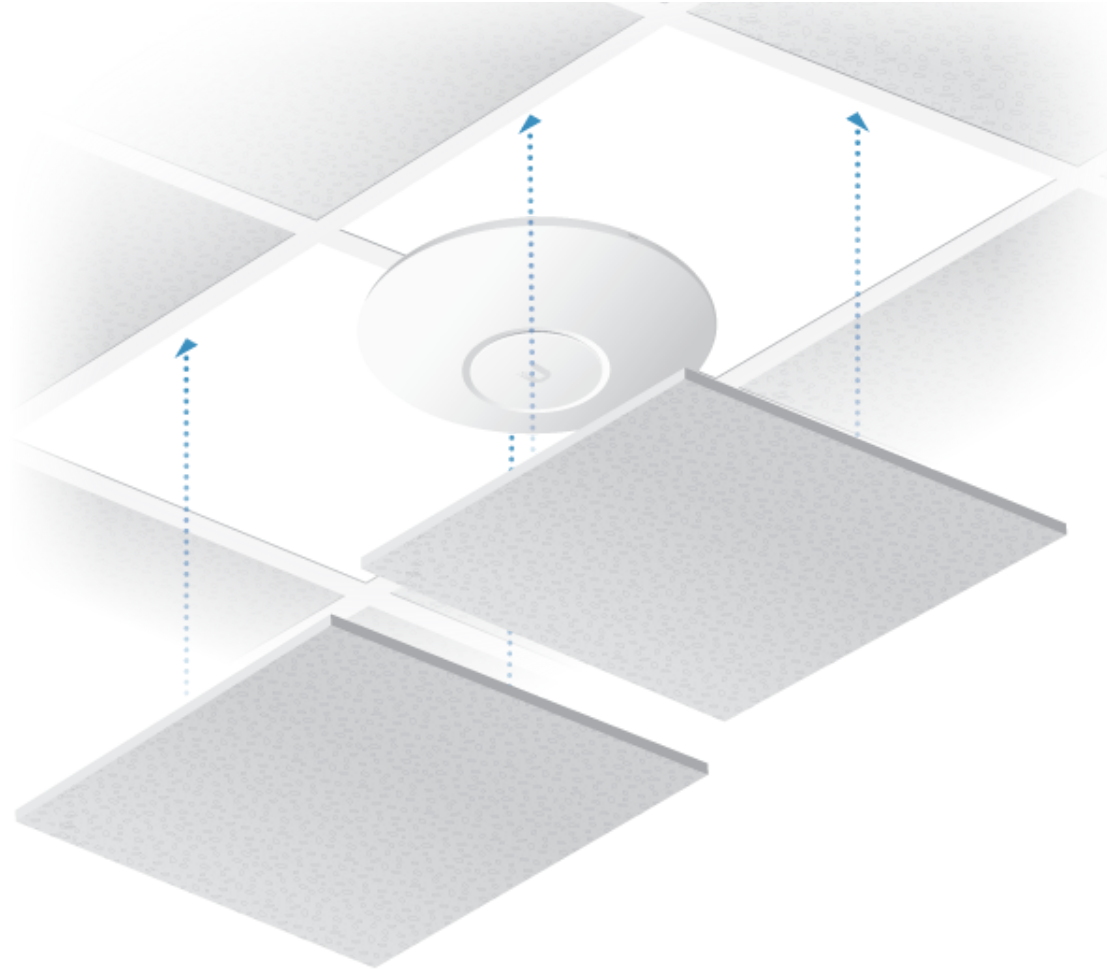
UAP-AC-HD Quick Start Guide



15.



UAP-AC-HD Quick Start Guide

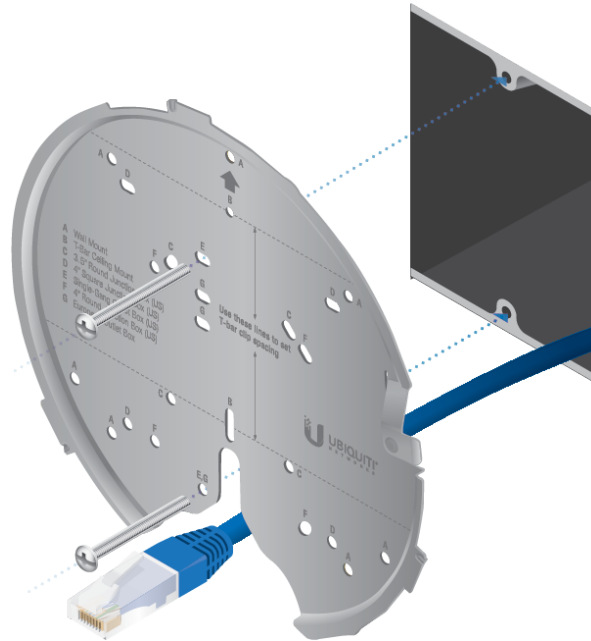


Junction or Outlet Box Mount

1. Use the legend printed on the Mounting Plate to select the appropriate mounting holes for your installation.
2. Pull the Ethernet cable through the Mounting Plate, and attach the Mounting Plate to the junction or outlet box using at least two screws (not included).



UAP-AC-HD Quick Start Guide



3.



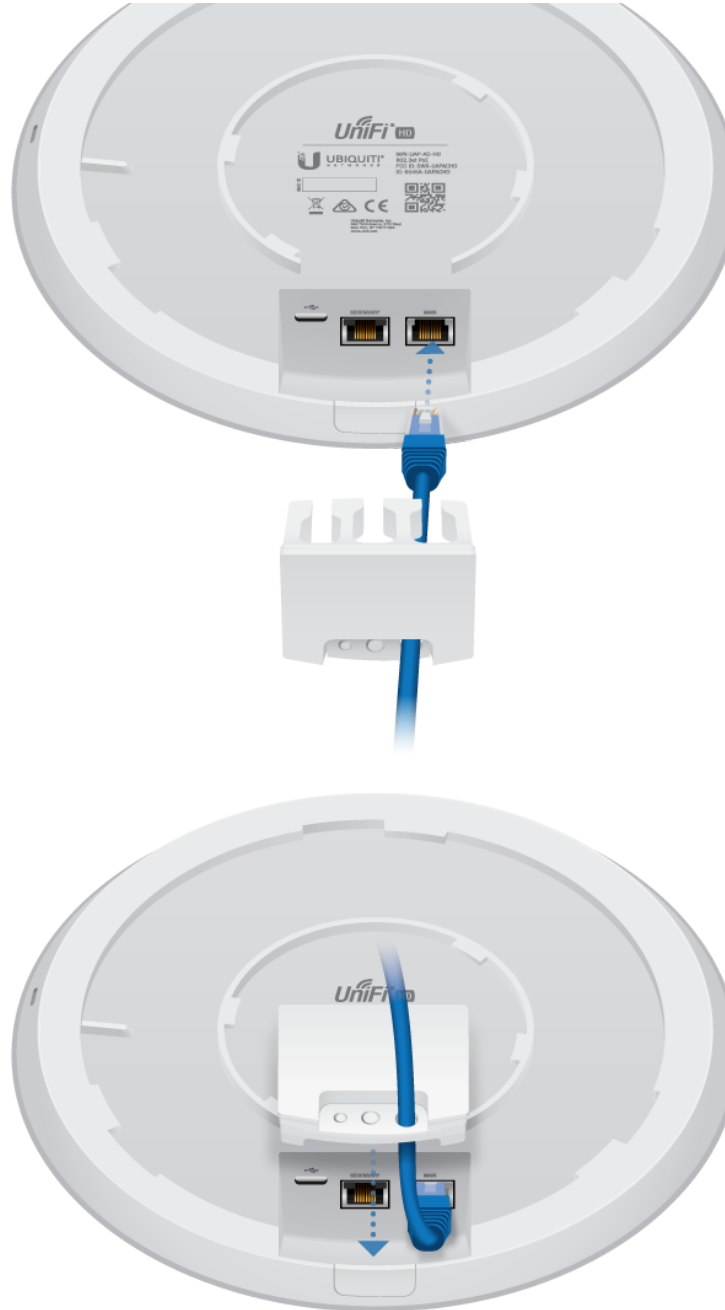


UAP-AC-HD Quick Start Guide



5.

UAP-AC-HD Quick Start Guide



6.



UAP-AC-HD Quick Start Guide



8.



UAP-AC-HD Quick Start Guide



Powering the UniFi AP

The UAP-AC-HD features auto-sensing 802.3at PoE+ support and can be powered by any of the following:

- Ubiquiti UniFi Switch with 802.3at PoE+
- 802.3at PoE+ compliant switch
- Ubiquiti Gigabit PoE Adapter (48V, 0.5A)

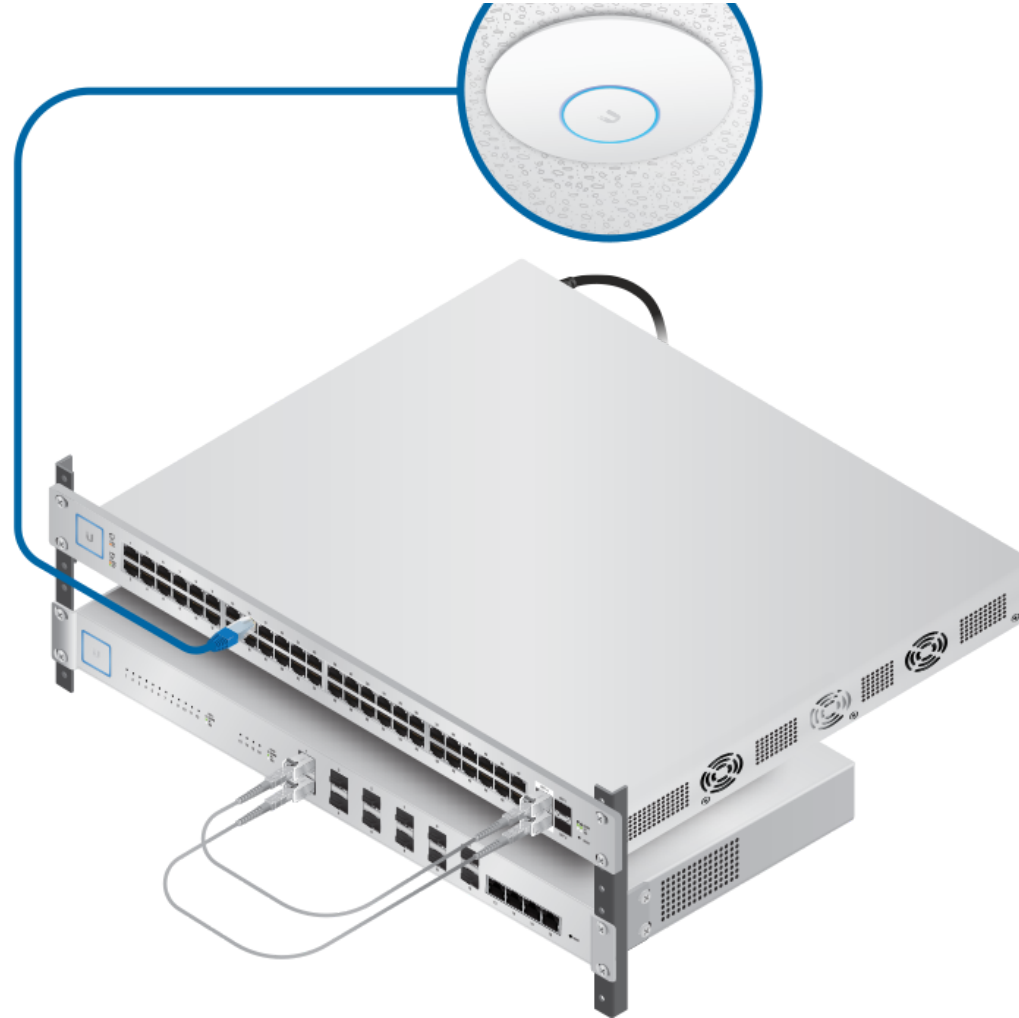
The single-pack of the UAP-AC-HD includes one Gigabit PoE adapter. For multi-pack units, PoE adapters or a UniFi Switch with 802.3at PoE+ may be purchased separately.

Connecting to a PoE+ Switch

Connect the Ethernet cable from the UniFi AP directly to a PoE+ port on the switch.



UAP-AC-HD Quick Start Guide

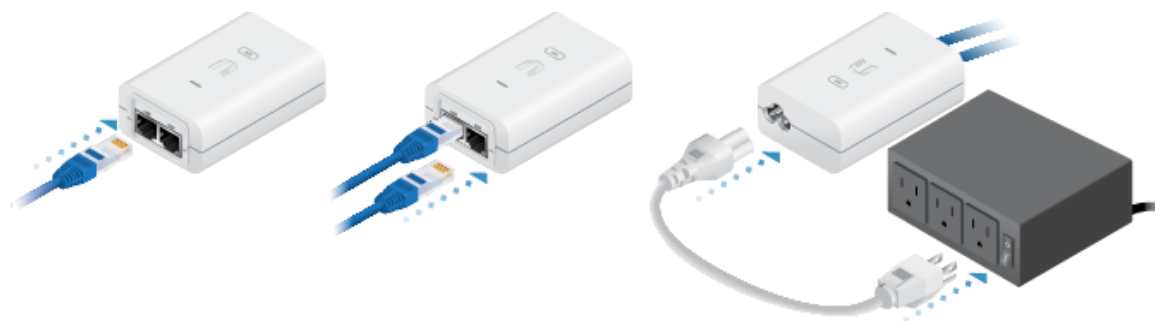


! **IMPORTANT:** The UAP-AC-HD cannot be powered by the US-8 or US-8-60W; however, it can be powered by other UniFi PoE Switches that provide 802.3at PoE+ power.

Connecting to the PoE Adapter

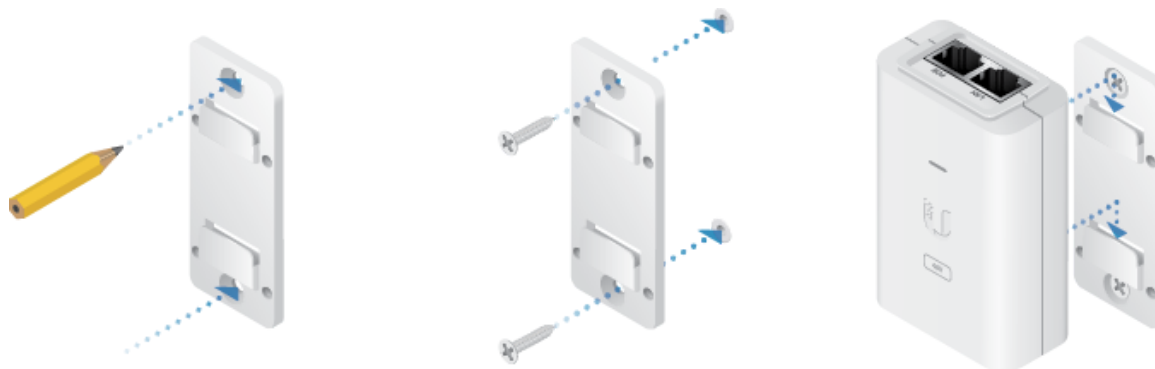
1. Connect the Ethernet cable from the device to the POE port of the PoE adapter.

UAP-AC-HD Quick Start Guide



Mounting the PoE Adapter (Optional)

1. Remove the PoE Mounting Bracket from the adapter, place the bracket at the desired location, and mark the two holes.
2. Pre-drill the holes if necessary, and secure the bracket using two fasteners (not included).
3. Align the adapter's slots with the tabs of the PoE Mounting Bracket, and then slide the adapter down.

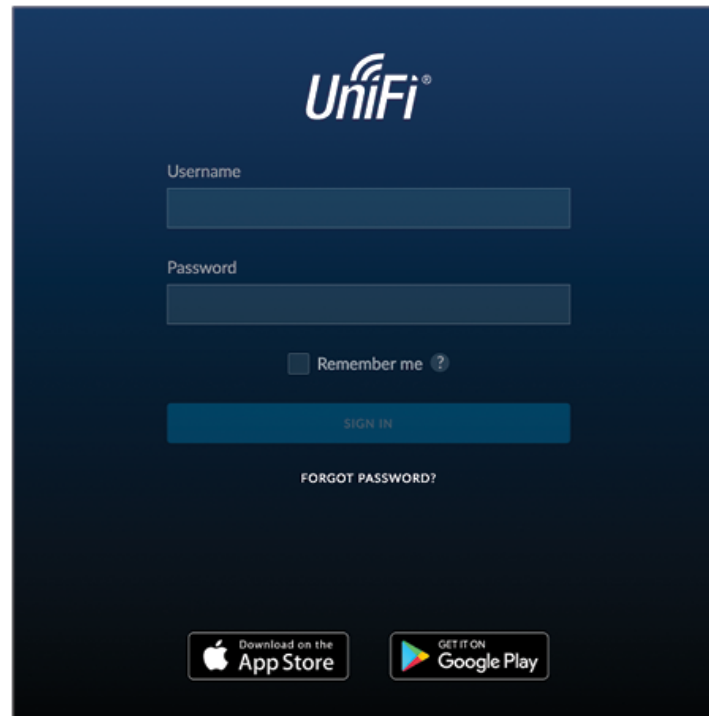


Software Installation

Download and install the latest version of the UniFi Controller software. Launch it and follow the on-screen instructions. The software and step-by-step instructions in the User Guide are available at: ui.com/download/unifi

UAP-AC-HD Quick Start Guide

that you created and click Sign In.



You can manage your wireless network and view network statistics using the UniFi Controller management interface. For information on configuring and using the UniFi Controller software, refer to the User Guide.

Mobile App Installation

Ubiquiti also offers the UniFi app, which is available from the App Store® (iOS) or Google Play™ Store (Android). You can use it to provision a UniFi AP for basic functionality without configuring a UniFi Controller. It also allows seamless provisioning of APs for remote controllers (controllers not on the same Layer 2 network) and easy access to local controllers and those monitored on unifi.ui.com



UAP-AC-HD Quick Start Guide

UAP-AC-HD	
Dimensions	220 x 220 x 48.1 mm (8.66 x 8.66 x 1.89")
Weight	700 g (1.54 lb)
with Mounting Kit	830 g (1.83 lb)
Networking Interface	(2) 10/100/1000 Ethernet Ports
Buttons	Reset
Power Method	PoE+ 802.3at
Power Supply	48V, 0.5A Gigabit PoE Adapter*
Max. Power Consumption	17W
Operating Frequency	2.4 GHz 5 GHz
Max. TX Power	
2.4 GHz	25 dBm
5 GHz	25 dBm
Antennas	
2.4 GHz	(2) Dual-Port, Dual-Polarity
5 GHz	(2) Dual-Port, Dual-Polarity
Antenna Gain	
2.4 GHz	3 dBi
5 GHz	4 dBi
Wi-Fi Standards	802.11 a/b/g/n/ac/ac-wave2
Wireless Security	WEP, WPA-PSK, WPA-Enterprise (WPA/WPA2, TKIP/AES)

UAP-AC-HD Quick Start Guide

Mounting	Wall/Ceiling/Junction Box (NCS included)
Operating Temperature	-10 to 70° C (14 to 158° F)
Operating Humidity	5 to 95% Noncondensing
Certifications	CE, FCC, IC

** Included with the single-pack of the UAP-AC-HD*

Safety Notices

1. Read, follow, and keep these instructions.
2. Heed all warnings.
3. Only use attachments/accessories specified by the manufacturer.



WARNING: Do not use this product in location that can be submerged by water.



WARNING: Avoid using this product during an electrical storm. There may be a remote risk of electric shock from lightning.

Electrical Safety Information

1. Compliance is required with respect to voltage, frequency, and current requirements indicated on the manufacturer's label. Connection to a different power source than those specified may result in improper operation, damage to the equipment or pose a fire hazard if the limitations are not followed.
2. There are no operator serviceable parts inside this equipment. Service should be provided only by a qualified service technician.
3. This equipment is provided with a detachable power cord which has an integral safety ground wire intended for connection to a grounded safety outlet.
 - a. Do not substitute the power cord with one that is not the provided approved type. Never use an adapter plug to connect to a 2-wire outlet as this will defeat the continuity of the grounding wire.

UAP-AC-HD Quick Start Guide

- c. Contact a qualified electrician or the manufacturer if there are questions about the installation prior to connecting the equipment.
- d. Protective earthing is provided by Listed AC adapter. Building installation shall provide appropriate short-circuit backup protection.
- e. Protective bonding must be installed in accordance with local national wiring rules and regulations.

Limited Warranty

ui.com/support/warranty

The limited warranty requires the use of arbitration to resolve disputes on an individual basis, and, where applicable, specify arbitration instead of jury trials or class actions.

Compliance

FCC

Changes or modifications not expressly approved by the party responsible for compliance could void the user's authority to operate the equipment.

This device complies with Part 15 of the FCC Rules. Operation is subject to the following two conditions.

1. This device may not cause harmful interference, and
2. This device must accept any interference received, including interference that may cause undesired operation.

This equipment has been tested and found to comply with the limits for a Class A digital device, pursuant to part 15 of the FCC Rules. These limits are designed to provide reasonable protection against harmful interference when the equipment is operated in a commercial environment. This equipment generates, uses, and can radiate radio frequency energy and, if not installed and used in accordance with the instruction manual, may cause harmful interference to radio communications. Operations of this equipment in a residential area is likely to cause harmful interference in which case the user will be required to correct the interference at his own expense.

This radio transmitter has been approved by FCC.



UAP-AC-HD Quick Start Guide

CAN ICES-3(A)/NMB-3(A)

This device complies with ISED Canada licence-exempt RSS standard(s). Operation is subject to the following two conditions:

1. This device may not cause interference, and
2. This device must accept any interference, including interference that may cause undesired operation of the device.

This radio transmitter has been approved by ISED Canada.

The device for operation in the band 5150-5250 MHz is only for indoor use to reduce the potential for harmful interference to co-channel mobile satellite systems.

CAN ICES-3(A)/NMB-3(A)

Le présent appareil est conforme aux CNR d'ISDE Canada applicables aux appareils radio exempts de licence. L'exploitation est autorisée aux deux conditions suivantes :

1. l'appareil ne doit pas produire de brouillage;
2. l'appareil doit accepter tout brouillage radioélectrique subi, même si le brouillage est susceptible d'en compromettre le fonctionnement.

Le présent émetteur radio a été approuvé par ISDE Canada.

Les dispositifs fonctionnant dans la bande 5150-5250 MHz sont réservés uniquement pour une utilisation à l'intérieur afin de réduire les risques de brouillage préjudiciable aux systèmes de satellites mobiles utilisant les mêmes canaux.

IMPORTANT NOTE

Radiation Exposure Statement

- This equipment complies with radiation exposure limits set forth for an uncontrolled environment.
- This equipment should be installed and operated with minimum distance 21 cm between the radiator and your body.



UAP-AC-HD Quick Start Guide

BFWA (Broadband Fixed Wireless Access) members noted in blue



Note: This device meets Max. TX power limit per ETSI regulations.

The following apply to products that operate in the 5 GHz frequency range:



Note: This device is restricted to indoor use only when operating in the 5150 - 5350 MHz frequency range within all member states.



Note: All countries listed may operate at 30 dBm. BFWA member states may operate at 36 dBm.



Note: Operation in the 5.8 GHz frequency band is prohibited in BFWA member states. Other countries listed may use the 5.8 GHz frequency band.

WEEE Compliance Statement

Declaration of Conformity

Online Resources



UAP-AC-HD Quick Start Guide



© 2020 Ubiquiti Inc. All rights reserved.