



## ES-10X Quick Start Guide

# Package Contents



EdgeSwitch 10X



Wall Mount Screws (Qty. 2)



Wall Mount Anchors (Qty. 2)



Ground Screw



Power Adapter (24V, 1A)



Cable Clip

## Installation Requirements

- Wall-mounting (optional)
  - Drill with 6 mm drill bit
  - Phillips screwdriver
- For indoor applications, use Category 5 (or above) UTP cabling approved for indoor use.
- For outdoor applications, shielded Category 5 (or above) cabling should be used for all wired Ethernet connections and should be grounded through the AC ground of the power supply.

We recommend that you protect your networks from harmful outdoor environments and destructive ESD events with industrial-grade, shielded Ethernet cable from Ubiquiti. For more details, visit: [ui.com/toughcable](https://ui.com/toughcable)

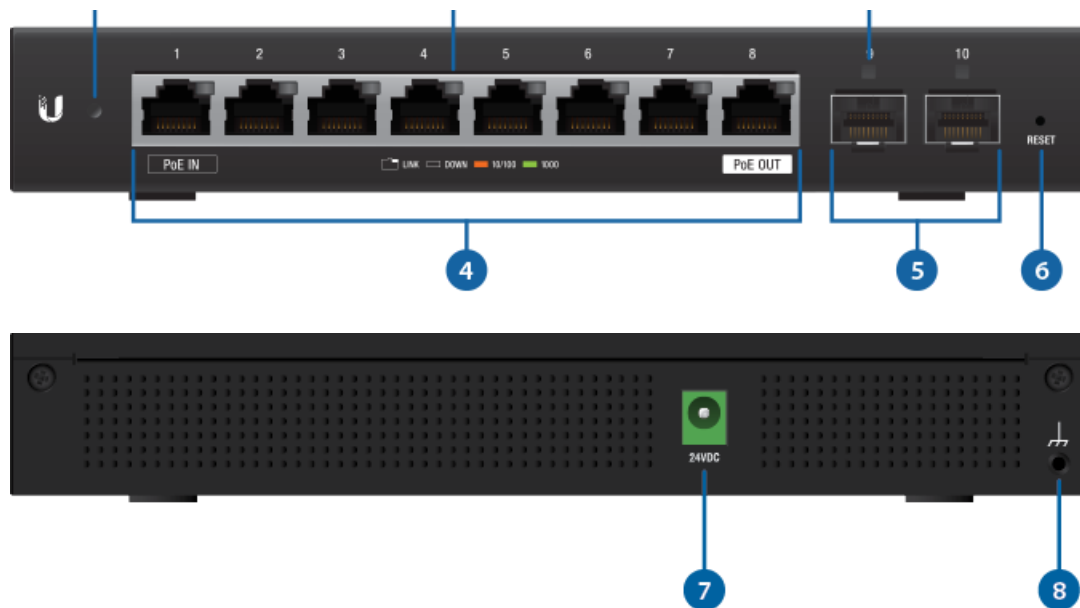


**Note:** Although the cabling can be located outdoors, the EdgeSwitch itself should be housed inside a protective enclosure.

## Hardware Overview



## ES-10X Quick Start Guide



### 1 System LED

Flashing White	Bootup in Progress
White	Ready for Use Not Connected to Ubiquiti® Network Management System (UNMS™)
Blue	Ready for Use Connected to UNMS
Steady Blue with Occasional Flashing	Ready for Use Unable to Connect to UNMS
Quickly Flashing Blue	Used to Locate a Device in UNMS
Alternating Blue/White	Firmware Upgrade in Progress

### 2 RJ45 Speed/Link/Activity LED (Ports 1 - 8)

Off	No Link
Amber	Link Established at 10/100 Mbps Flashing Indicates Activity
Green	Link Established at 1000 Mbps Flashing Indicates Activity

### 3 SFP Link/Activity LED (Ports 9 - 10)



## ES-10X Quick Start Guide

Green	Link Established at 1 Gbps Flashing Indicates Activity
<b>4 RJ45 (Ports 1 - 8)</b>	
RJ45 ports support 10/100/1000 Ethernet connections.	
<ul style="list-style-type: none"> <li>• <b>PoE In (Port 1)</b> Supports 24V Passive PoE input.</li> <li>• <b>PoE Out (Port 8)</b> Supports 24V Passive PoE passthrough.</li> </ul>	
<b>5 SFP (Ports 9 - 10)</b>	
Hot-swappable SFP ports support 1 Gbps connections. If you use a copper Ethernet module (example: UF-RJ45-1G), power off the EdgeSwitch before insertion; otherwise there may be a device reboot.	
<b>6 Reset Button</b>	
To reset to factory defaults:	
<ol style="list-style-type: none"> <li>1. Disconnect power from the EdgeSwitch.</li> <li>2. Reconnect power while holding the Reset button. The port LEDs will light up in sequential order (this takes approximately five seconds).</li> <li>3. When the port 1 LED flashes again, release the Reset button.</li> </ol>	
<b>7 Power</b>	
Connect the included Power Adapter to the Power port.	
<b>8 Grounding Point</b>	
Ground bonding point for an optional ground wire.	

## Hardware Installation

The optional EdgeRouter™ Rackmount Kit, model ER-RMKIT, is sold separately.



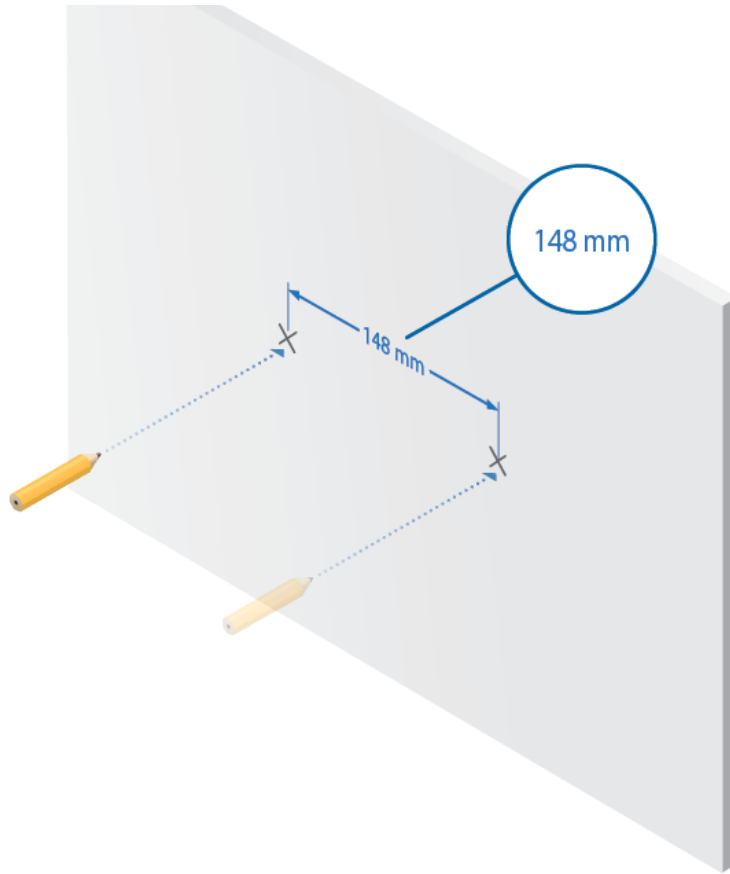
**WARNING:** The EdgeSwitch ES-10X must not be stacked. Do not place it on top of another switch. Do not place anything on top of the ES-10X.

## Wall Mounting

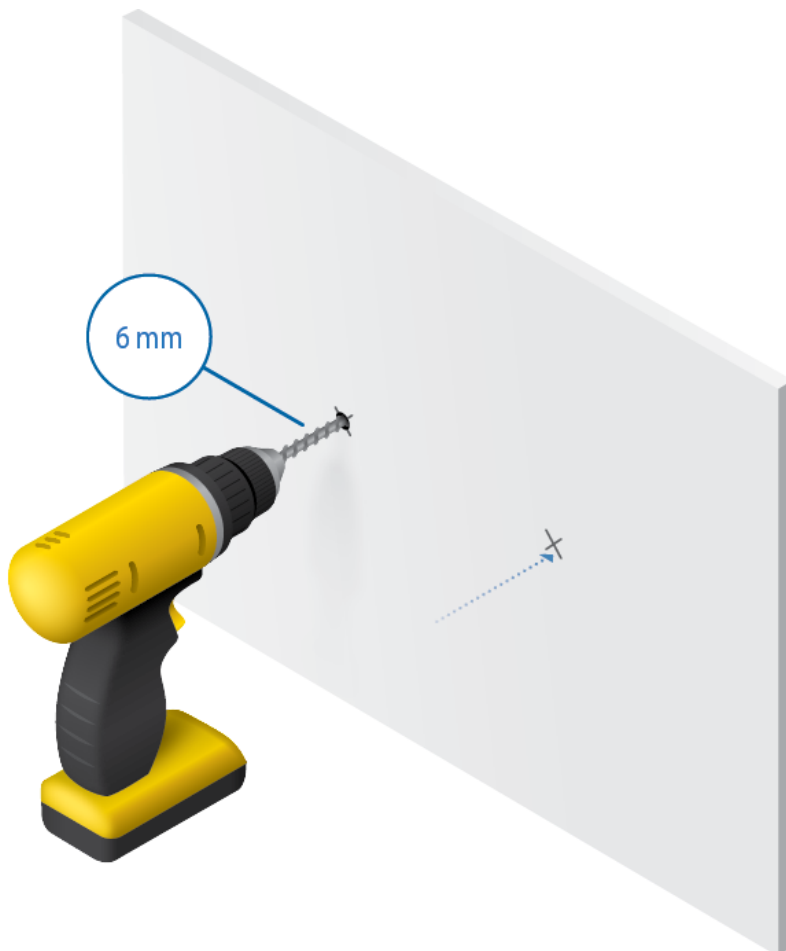
- 1.



# ES-10X Quick Start Guide



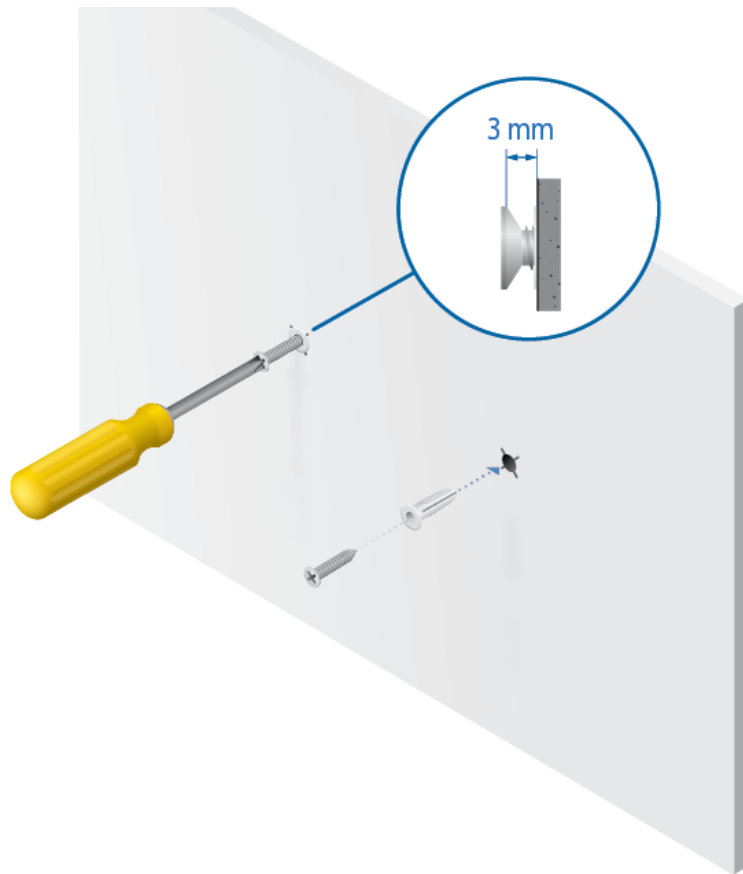
2.



3.



## ES-10X Quick Start Guide



4.



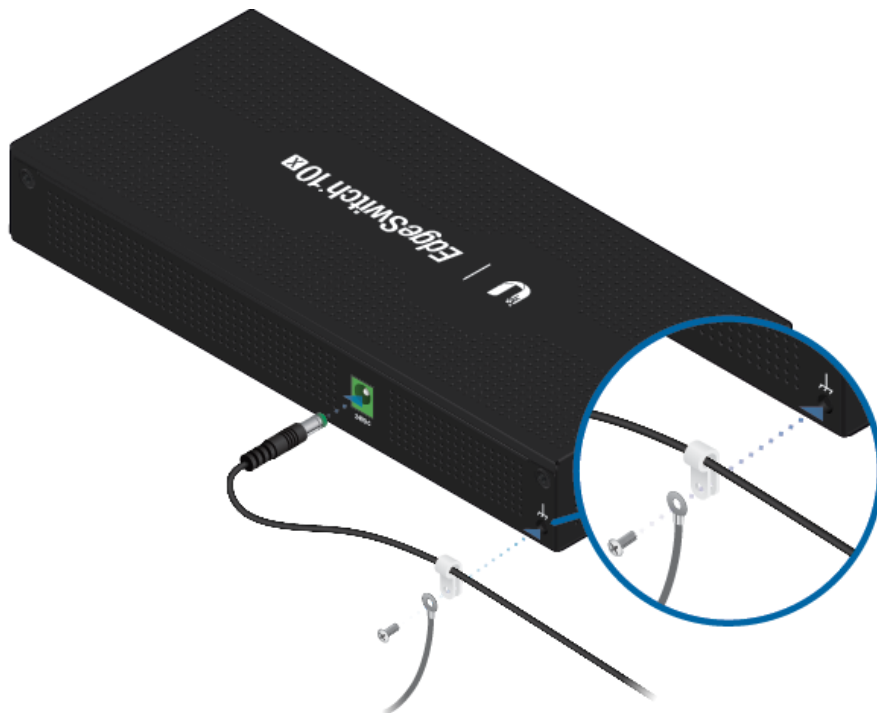
### Grounding the EdgeSwitch (Recommended)



## ES-10X Quick Start Guide



Optional



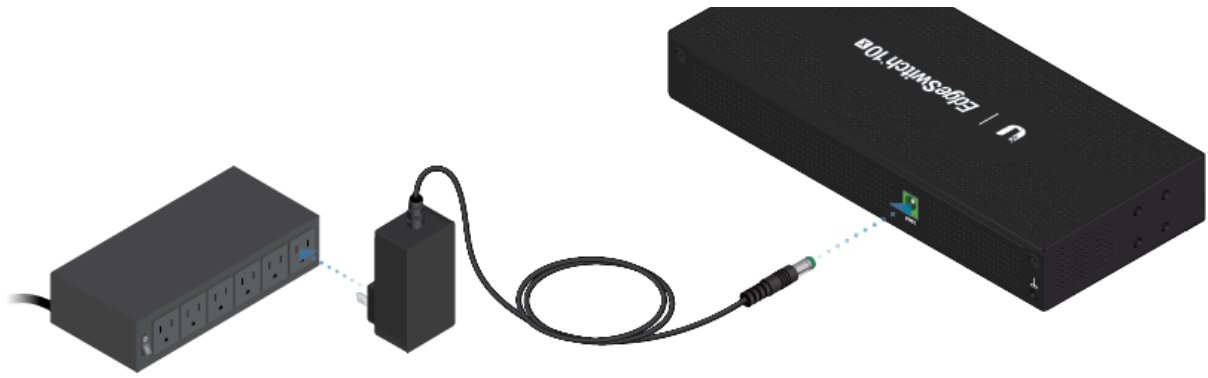
### Connecting Power



**Note:** Only one power source can be used at any one time. With both power sources connected, the input with the highest voltage will be used; the other power source defaults to backup.



# ES-10X Quick Start Guide



OR



## Connecting Ethernet

1.



2.



## ES-10X Quick Start Guide



**WARNING:** Before enabling PoE passthrough, ensure that the connected PoE device supports 24V Passive PoE.

## Using SFP Ports

1.



2.





## ES-10X Quick Start Guide



3.



For information about compatible fiber SFP modules, visit:  
[ubnt.link/SFP\\_DAC\\_Compatibility](https://ubnt.link/SFP_DAC_Compatibility)

## Accessing the Configuration Interface

The device is set to DHCP by default, so it will try to automatically obtain an IP address. If that fails, then it will use the default fallback IP address, 192.168.1.20. Proceed to the appropriate section, DHCP or [“Fallback IP Address”](#):

### DHCP

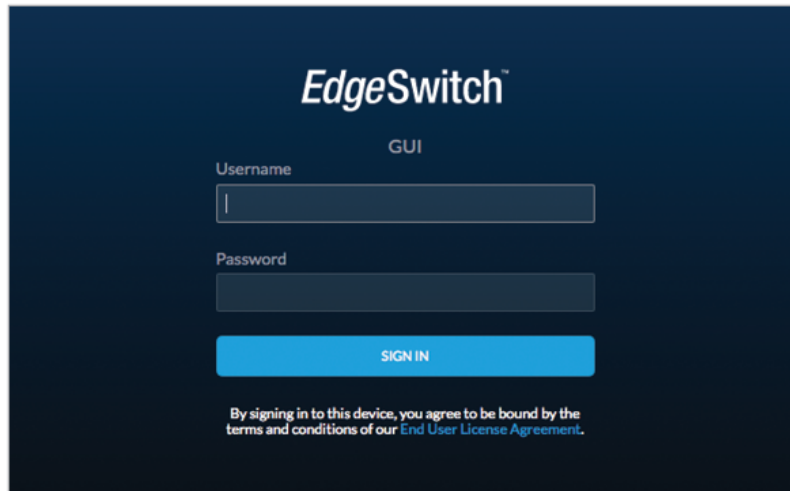
Use one of the following methods:

- Set up the DHCP server to provide a specific IP address to the device based on its MAC address (on the label).
- Let the device obtain an IP address and then check the DHCP server to see which IP address was assigned.



## ES-10X Quick Start Guide

1. Launch your web browser. Type the appropriate IP address in the address field. Press enter (PC) or return (Mac).
2. Enter ubnt in the Username and Password fields. Click Sign In.



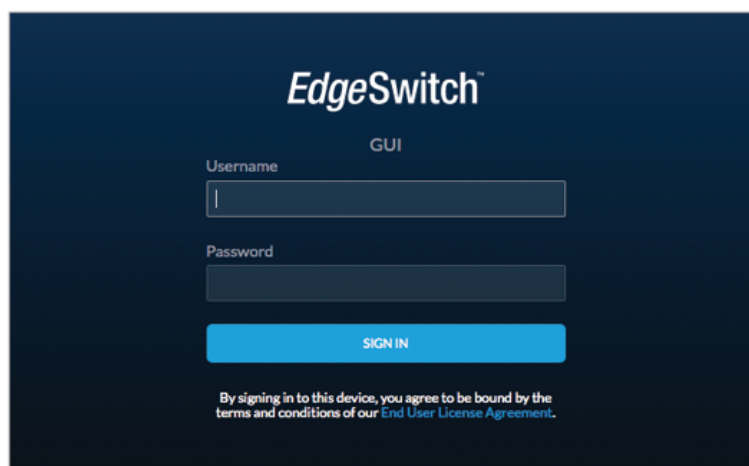
The EdgeSwitch Configuration Interface will appear. Customize additional settings as needed. For 24V Passive PoE configuration, refer to [“Configuring PoE Settings”](#). For more information, refer to the EdgeSwitch documentation, which is available at [ui.com/download/edgemax](https://ui.com/download/edgemax)

### Fallback IP Address

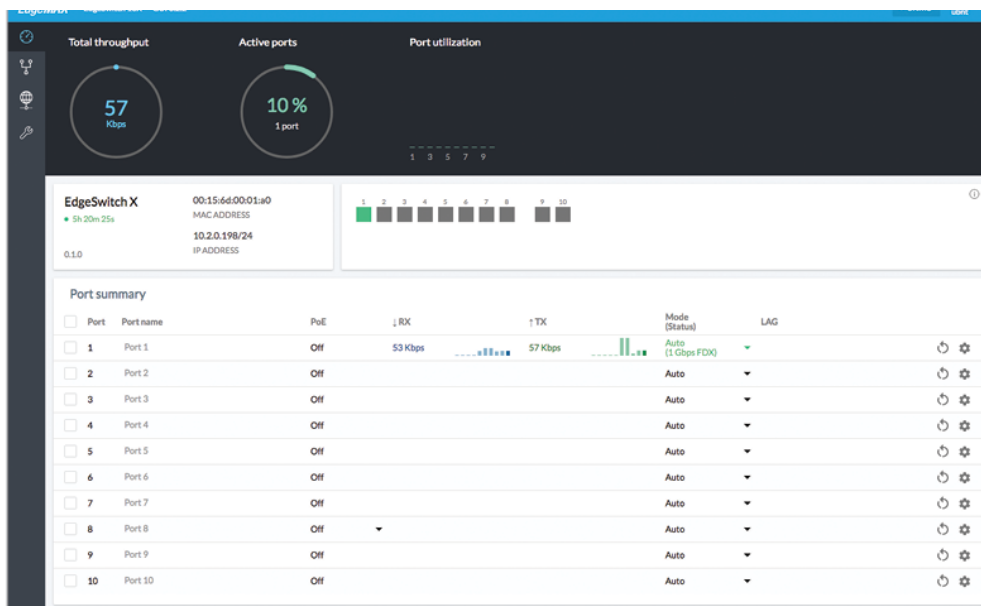
1. Ensure that your computer (or other host system) is connected to the device.
2. Configure the Ethernet adapter on your host system with a static IP address on the 192.168.1.x subnet.
3. Launch your web browser. Type the appropriate IP address in the address field (192.168.1.20 is the default fallback IP address). Press enter (PC) or return (Mac).



4. Enter ubnt in the Username and Password fields. Click Sign In.



## ES-10X Quick Start Guide



6. Change the IP Address to a unique IP address. Click Apply.

The screenshot shows the 'System Settings' page in the EdgeMAX GUI. The 'Device name' is 'EdgeSwitch X'. Under 'Management IP', the IPv4 settings are: Network mode is 'Static IP', IP Address is '10.2.0.198', Subnet mask is '255.255.255.0', Gateway IP is '10.2.0.254', Primary DNS is '10.2.0.11', and Secondary DNS is '10.2.0.12'. The IPv6 settings are: Network mode is 'Link-local', Stateless Address AutoConfig Mode is 'Enabled', IP address is 'fe80::215:6dff:fe00:1a0/64', and Gateway IP is 'fe80::822:a8ff:fe0e:3f1'. On the right, several services are listed as 'Disabled': UNMS, Remote system log, SSH server, Telnet server, and Web server.



**Note:** If you change the IP settings, then the session will be cut off, and you will need to reconnect to the device using the new IP address.

Customize additional settings as needed. For 24V Passive PoE configuration, refer to [“Configuring PoE Settings”](#). For more information, refer to the EdgeSwitch documentation, which is available at [ui.com/download/edgemax](http://ui.com/download/edgemax)

## Configuring PoE Settings

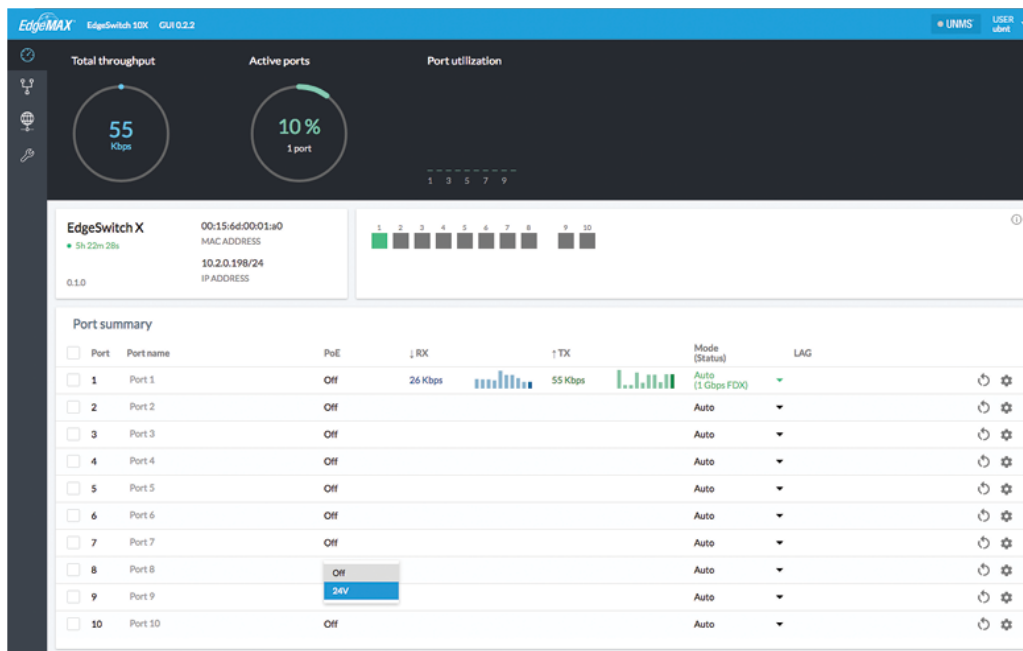
The PoE setting for port 8 is set to Off by default.



**WARNING:** Before activating PoE, ensure that the connected device supports passive PoE and the supplied voltage.



## ES-10X Quick Start Guide



## UNMS Management

You can manage your device using UNMS, which lets you configure, monitor, upgrade, and back up your devices using a single application. Get started at [www.unms.com](http://www.unms.com)

## Specifications

ES-10X	
Dimensions	207 x 31.1 x 90 mm (8.15 x 1.22 x 3.54")
Weight	500 g (1.10 lb)
Total Non-Blocking Throughput	10 Gbps
Switching Capacity	20 Gbps
Forwarding Rate	14.88 Mpps
Max. Power Consumption (Excluding PoE Output)	8W
Power Method	24VDC, 1A or 24V Passive PoE
Supported Voltage Range	9 -30VDC
Power Supply	24VDC, 1A Power Adapter (Included) or 24V Passive PoE
LEDs	
System	Status
RJ45 Data Ports	Link/Speed/Activity
SFP Data Ports	Link/Activity



## ES-10X Quick Start Guide

Networking Interfaces	(2) 1 Gbps SFP Ports
Management Interface	Ethernet In-Band
Certifications	CE, FCC, IC
ESD/EMP Protection	Air: $\pm 24$ kV, Contact: $\pm 24$ kV
Operating Temperature	-10 to 50° C (14 to 122° F)
Operating Humidity	5 to 95% Noncondensing
Shock and Vibration	ETSI300-019-1.4 Standard

PoE (Port 8)	
PoE Interface	24VDC Passive PoE (Pins 4, 5+; 7, 8-)
Max. Passive PoE Wattage per Port	15W
24V Passive PoE Voltage Range	24V

## Safety Notices

1. Read, follow, and keep these instructions.
2. Heed all warnings.
3. Only use attachments/accessories specified by the manufacturer.



**WARNING:** Failure to provide proper ventilation may cause fire hazard. Keep at least 20 mm of clearance next to the ventilation holes for adequate airflow.



**WARNING:** To reduce the risk of fire or electric shock, do not expose this product to rain or moisture.



**WARNING:** Do not use this product in location that can be submerged by water.



**WARNING:** Avoid using this product during an electrical storm. There may be a remote risk of electric shock from lightning.

## Electrical Safety Information

1. Compliance is required with respect to voltage, frequency, and current requirements indicated on the manufacturer's label. Connection to a different power source than those specified may result in improper operation, damage to the equipment or pose a fire hazard if the limitations are not followed.
2. There are no operator serviceable parts inside this equipment. Service should be provided only by a qualified service technician.
3. This equipment is provided with a detachable power cord which has an integral safety ground wire intended for connection to a grounded safety outlet.



## ES-10X Quick Start Guide

grounding wire.

- b. The equipment requires the use of the ground wire as a part of the safety certification, modification or misuse can provide a shock hazard that can result in serious injury or death.
- c. Contact a qualified electrician or the manufacturer if there are questions about the installation prior to connecting the equipment.
- d. Protective earthing is provided by Listed AC adapter. Building installation shall provide appropriate short-circuit backup protection.
- e. Protective bonding must be installed in accordance with local national wiring rules and regulations.

## Limited Warranty

[ui.com/support/warranty](http://ui.com/support/warranty)

The limited warranty requires the use of arbitration to resolve disputes on an individual basis, and, where applicable, specify arbitration instead of jury trials or class actions.

## Compliance

### FCC

Changes or modifications not expressly approved by the party responsible for compliance could void the user's authority to operate the equipment.

This device complies with Part 15 of the FCC Rules. Operation is subject to the following two conditions.

1. This device may not cause harmful interference, and
2. This device must accept any interference received, including interference that may cause undesired operation.

This equipment has been tested and found to comply with the limits for a Class A digital device, pursuant to Part 15 of the FCC Rules. These limits are designed to provide reasonable protection against harmful interference when the equipment is operated in a commercial environment. This equipment generates, uses, and can radiate radio frequency energy and, if not installed and used in accordance with the instruction manual, may cause harmful interference to radio communications. Operations of this equipment in a residential area is likely to cause harmful interference in which case the user will be required to correct the interference at his own expense.

### ISED Canada

CAN ICES-3(A)/NMB-3(A)

### Australia and New Zealand



Warning: This equipment is compliant with Class A of CISPR 32. In a residential environment this equipment may cause radio interference.

## CE Marking

CE marking on this product represents the product is in compliance with all directives that are applicable to it.



## ES-10X Quick Start Guide



### [WEEE Compliance Statement](#)

### [Declaration of Conformity](#)

### Online Resources



© 2020 Ubiquiti Inc. All rights reserved.