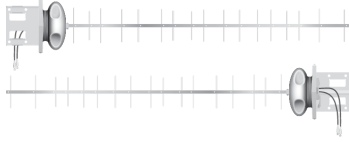




AMY-9M16 Quick Start Guide

Package Contents



Antennas (Qty. 2)



U Bolts (Qty. 4)



Serrated Flange Nuts (Qty. 8)

Installation Requirements

- Rocket®M900 (sold separately)
- 13 mm wrench
- Shielded Category 5 (or above) cabling should be used for all wired Ethernet connections and should be grounded through the AC ground of the PoE.

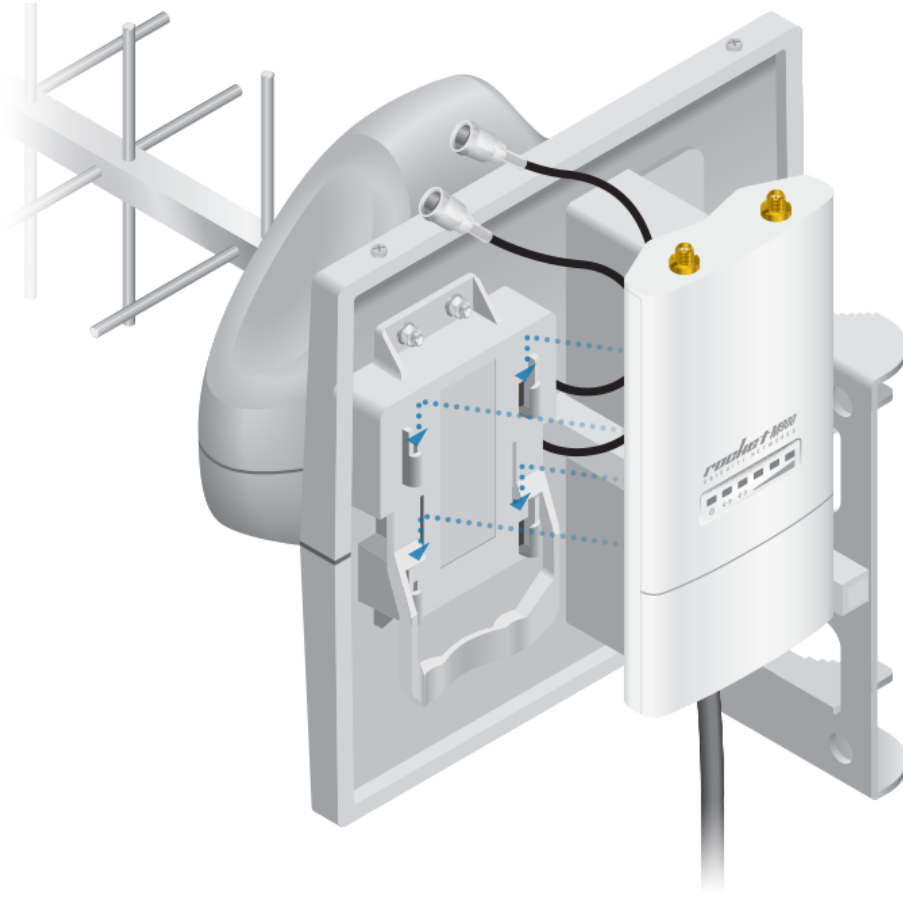
We recommend that you protect your networks from harmful outdoor environments and destructive ESD events with industrial-grade, shielded Ethernet cable from Ubiquiti. For more details, visit ui.com/toughcable

Hardware Installation

- 1.



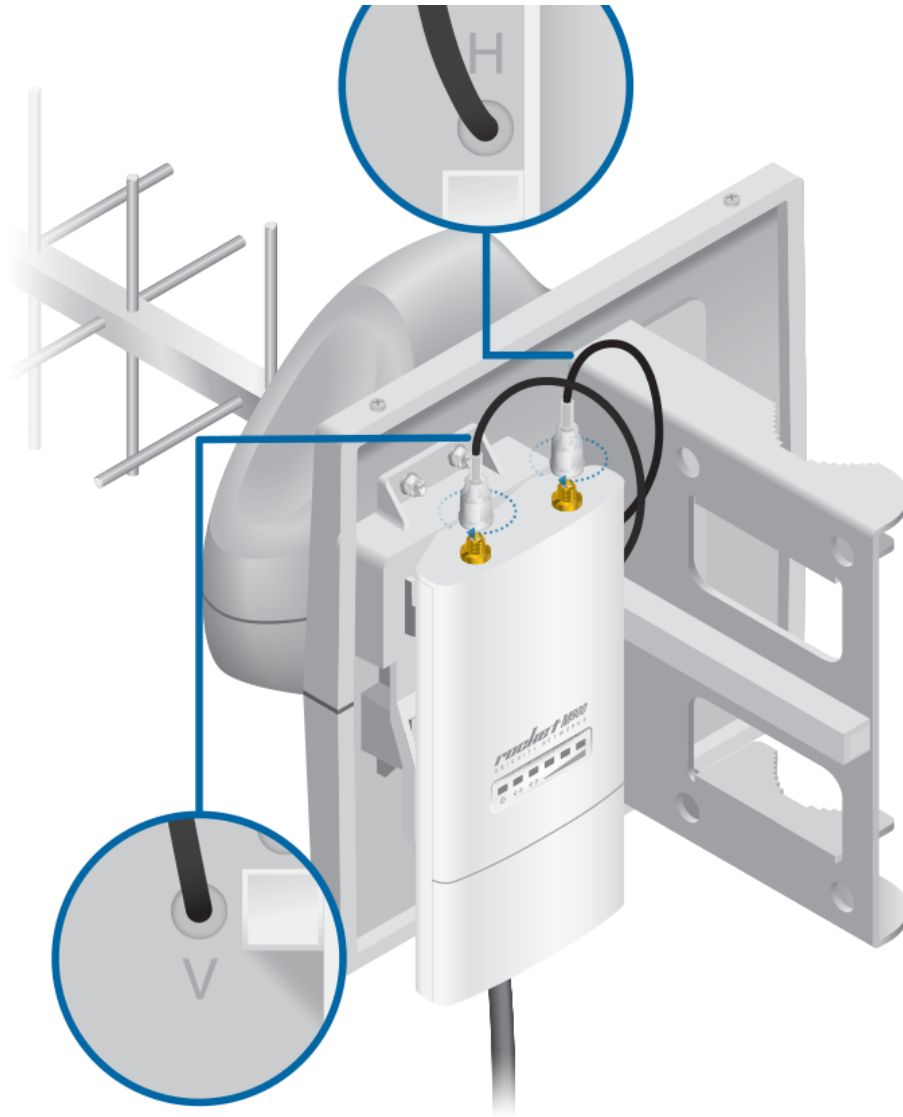
AMY-9M16 Quick Start Guide



2.



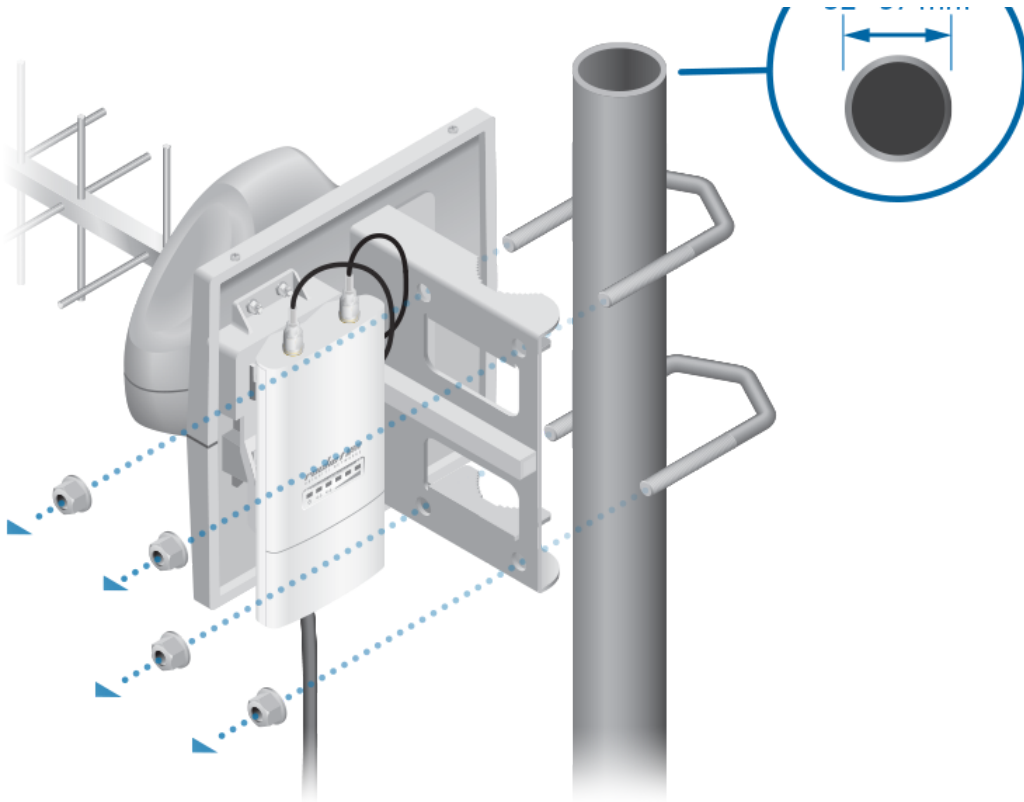
AMY-9M16 Quick Start Guide



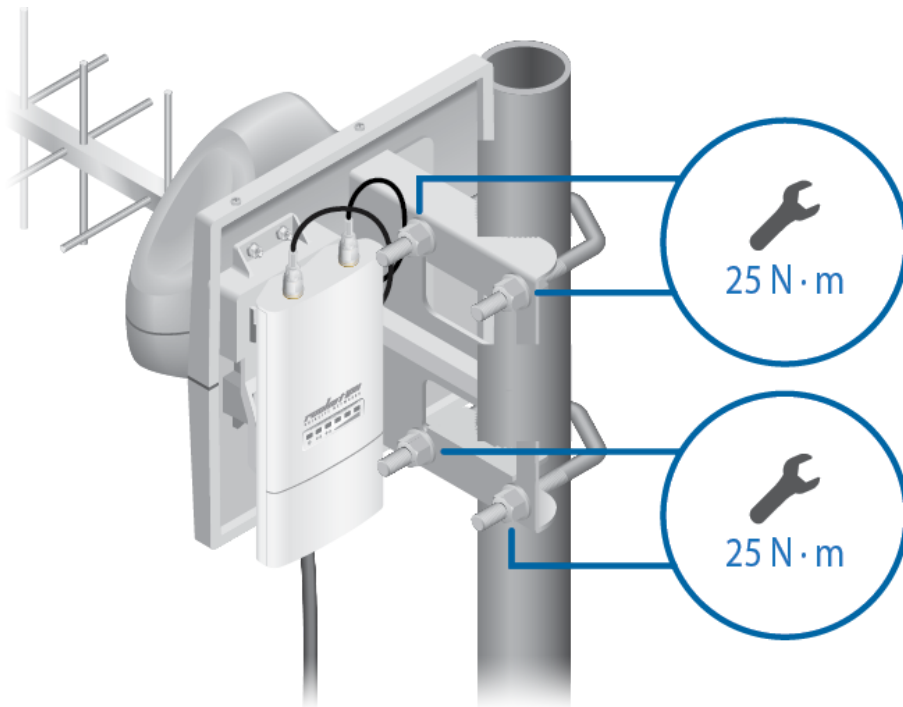
3.



AMY-9M16 Quick Start Guide



4.



Specifications

AMY-9M16	
Dimensions	1365 x 215 x 218 mm (53.74 x 8.47 x 8.58")
Weight (Mount Included)	2.5 kg (5.51 lbs)
Frequency	902 - 928 MHz



AMY-9M16 Quick Start Guide

Parameter	Value
HPOL Beamwidth	29 to 34°
VPOL Beamwidth	29 to 34°
Front-to-Back Ratio	20 dB
Max. VSWR	< 1.5:1 Over Band
Wind Survivability	200 km/h (125 mph)
Wind Loading	102.3 N @ 200 km/h (23 lbf @ 125 mph)
Polarization	Dual Linear
Cross-Pol Isolation	20 dB
ETSI Specification	EN 302 326 DN2
Mounting	Pole-Mount Kit Included

Safety Notices

1. Read, follow, and keep these instructions.
2. Heed all warnings.
3. Only use attachments/accessories specified by the manufacturer.



WARNING: Do not use this product in location that can be submerged by water.



WARNING: Avoid using this product during an electrical storm. There may be a remote risk of electric shock from lightning.

Electrical Safety Information

1. Compliance is required with respect to voltage, frequency, and current requirements indicated on the manufacturer's label. Connection to a different power source than those specified may result in improper operation, damage to the equipment or pose a fire hazard if the limitations are not followed.
2. There are no operator serviceable parts inside this equipment. Service should be provided only by a qualified service technician.

Limited Warranty

ui.com/support/warranty

The limited warranty requires the use of arbitration to resolve disputes on an individual basis, and, where applicable, specify arbitration instead of jury trials or class actions.

Compliance



AMY-9M16 Quick Start Guide

The antenna and transmitter must be installed to provide a separation distance from all persons and must not be located or operating in conjunction with any other antenna or transmitter. For the specific separation distance, refer to the Quick Start Guide for your Rocket device (transmitter).

L'antenne et l'émetteur doit être installé pour fournir une distance de séparation de toute les personnes et ne doit pas être situé ou opérant en conjonction avec une autre antenne ou un autre émetteur. Pour la distance spécifique de séparation, se référer au Guide de démarrage rapide pour votre appareil Rocket (l'émetteur).

WEEE Compliance Statement

Declaration of Conformity

Online Resources



© 2020 Ubiquiti Inc. All rights reserved.